

# Health o meter®

P r o f e s s i o n a l

## 499KL / 499KG Waist-High Digital Beam Scale



ISO13485:2016  
CERTIFIED



E112697  
UL 60601-1  
CSA C22.2 No. 601.1-M90

## User Instructions

Para ver las instrucciones de uso en español visita [www.hom scales.com](http://www.hom scales.com)  
Pour les instructions de l'utilisateur dans la visite française [www.hom scales.com](http://www.hom scales.com)



PELSTAR, LLC 9500 West 55th St. McCook, IL 60525-7110 USA [www.hom scales.com](http://www.hom scales.com)

Health o meter® Professional 499KL  
Health o meter® Professional 499KG

© Pelstar, LLC 2019

weigh easier®

Thank you for purchasing this Health o meter® Professional product. Please read this manual carefully, and keep it for easy reference or training.

## TABLE OF CONTENTS

Cautions and Warnings.....3  
Specifications for This Scale .....4  
Certifications / Connectivity / Disposal .....5  
Assembly Instructions .....6  
Powering the Scale .....11  
Set-Up Instructions.....12  
Operating Instructions .....13  
Assembly Instructions for Optional Height Rod (499KLROD).....16  
Height Measurement Instructions.....17  
Calibration .....19  
Troubleshooting .....20  
Maintenance.....21  
Warranty.....22

**Note:** This scale has been factory calibrated, and does not require calibration prior to use.

Please register your scale for warranty coverage at:  
[www.homscales.com/product-support/technical-support/product-warranty-registration](http://www.homscales.com/product-support/technical-support/product-warranty-registration)

For User Instructions updates and revisions please go to:  
[www.homscales.com](http://www.homscales.com)

# CAUTIONS AND WARNINGS

## **INTENDED USE**

This Health o meter<sup>®</sup> Professional scale is intended to be used in a professional medical environment by trained medical staff. This product was designed to weigh patients who are safely positioned and standing on the platform. Do not modify the product or use it for anything other than its intended purpose.

**To prevent patient/caregiver injury or damage to your scale, please follow the instructions in this user manual very carefully.**

- Do not exceed the weight capacity specified for this scale.
- For accurate weighing, this scale must be placed on a flat, stable surface.
- For accurate weighing, verify before each use the proper operation according to the procedure described in this manual.
- Do not use in the presence of flammable or explosive materials.
- If the scale becomes damaged, it should not be operated until properly serviced.
- Do not transport the scale with a patient or object on the scale.
- Do not wheel or pull the scale down stairs, doing so may damage internal parts.
- Ensure that the AC adapter and scale do not come in contact with liquids, excessive temperature, or excessive humidity.
- Exercise caution when assembling the scale column so as to not pinch the load cell connector cable.

## **Patient/caregiver safety**

- This scale is designed for static weighing of patients only. No scale should be used for patient transfer.
- Patient should wear socks or other form of lightweight foot covering during weighing event.
- To prevent patient injury, the patient must be attended to throughout the entire weighing event. Caregivers should ensure that the patient is stable and provide support as needed when getting onto and off of the scale.

## **When operating the scale with the AC adapter:**

- Operate this scale exclusively with the AC adapter provided by Health o meter Professional. Use of an unspecified adapter will void the warranty, and can pose a serious safety hazard.
- For use with AC adapter model ADPT31 (USA or Canada) or ADPT30 (International) (not included)
- Prior to using this scale, inspect the AC adapter cord for cracking / fraying, or for broken / bent plug prongs.
- Prior to using this scale, ensure that the AC adapter is plugged into an outlet with the rated voltage appropriate for operation.
- Ensure that the AC outlet is wired to a circuit breaker or other protected power source.
- Unplug the AC adapter, and carefully store both the adapter and adapter cord before moving the scale.
- Operating this scale at voltages and frequencies other than specified can damage the equipment and will void the warranty.

## **When operating the scale with batteries:**

- If the "LO" indicator activates, replace the batteries or switch to the AC adapter as soon as possible.
- When replacing / inserting batteries, be sure to use all new batteries.

This equipment has been tested and found to comply with the EMC limits for the Medical Device Directive 93/42/EEC (EN 55011 Class A and EN 60601-1-2). These limits are designed to provide reasonable protection against harmful interference in a typical medical installation. The equipment generates, uses and may radiate radio frequency energy and, if not installed and used in accordance with these instructions, may cause interference to other devices in the vicinity. There is no guarantee that interference will not occur in a particular installation. If this equipment does cause harmful interference with other devices, which can be determined by turning the equipment off and on, the user is encouraged to try to eliminate the interference by one or more of the following measures:

- Reorient or relocate the receiving device.
- Increase the separation between the equipment.
- Plug the equipment into an outlet on a circuit different from that to which the other device(s) is connected.
- Consult Customer Service or a field service technician for help.

**In no event whatsoever shall Pelstar, LLC be liable for damages or injuries arising from or connected with the assembly, use, or misuse of its products.**

# SPECIFICATIONS FOR THIS SCALE

## General

The model 499KL / 499KG waist high digital beam scale uses highly sophisticated microprocessor technology. This precision scale is designed to provide accurate, reliable and repeatable weight measurements. In addition, each scale is designed to provide the user with features that make the weighing process simple, fast, and convenient.

This scale uses motion-sensing weighing technology to determine the weight of a moving patient.

On the 499KL, weight can be displayed in pounds (lb) or in kilograms (kg). On the 499KG weight is displayed in kilograms only. **This scale can be powered using AC adapter (not included) or by 6 - AA batteries (included).**

## Scale Specifications

Capacity and Resolution	499KL; 500 lb x 0.2 lb (220 kg x 0.1 kg) 499KG: 220 kg x 0.1 kg	
Power Requirements	Adapter Model No. UE15WCP1-090050SPA, Part No. UE160714HKKK1-P Health o meter® Professional Model (ADPT30) (Not Included) Input: 100-240V – 50/60Hz, 500mA Output: 9.0V - - - 0.5A  Or 6 AA Batteries (included)	
Environmental	Operating temperatures: 50°F to 104°F (10°C to 40°C) Storage temperatures: 32°F to 122°F (0°C to 50°C) Maximum Humidity: 95% RH	
Physical Dimensions	<b>Scale (Overall Dimensions)</b> Width: 14-1/8" (359 mm) Depth: 21-1/8" (537 mm) Height: 43-1/2" (1105 mm) Weight: 20 lb (9 kg)	<b>Platform (Standing Area)</b> Width: 13-3/4" (349 mm) Depth: 16-1/2" (419 mm) Height: 2-3/8" (60 mm)

# DEFINITION OF SYMBOLS



Attention, Consult Accompanying Documents



Temperature range  
(10°C to 40°C / 50°F to 104°F)





Type B Applied Parts



AC to DC power supply

# CERTIFICATIONS / CONNECTIVITY / DISPOSAL

## Certification Descriptions

	Pelstar, LLC has been officially certified as the manufacturer of Health o meter® Professional medical devices. The Pelstar, LLC quality assurance system covers the development, production, sales and service of medical scales and measuring systems.
	This product is tested to and meets the requirements of: 1. UL60601-1 First Edition: Safety for Medical Electrical Equipment 2. CSA C22.2 No. 601-1 M90: Medical Electrical Equipment

Health o meter® Professional scales are manufactured in FDA-registered factories.

## Scale Connectivity Information

For reliable transmission of weight data, this scale is designed to connect to a computer, monitor, or other electronic data device via Health o meter® Professional Connectivity Solutions. This connectivity helps minimize transcription errors when recording patient data. For further information regarding how to connect this scale to other electronic devices, please contact Health o meter® Professional Scales Technical Support at 800-638-3722 or visit [www.hom scales.com/innovations/connectivity](http://www.hom scales.com/innovations/connectivity).

## Scale Disposal



This Health o meter® Professional scale must be disposed of properly as electronic waste. Follow the national, regional or local regulations that apply to you for disposal of electronic waste or batteries. Do not dispose of this device in the domestic waste stream.

# ASSEMBLY INSTRUCTIONS

## Before Assembly

Each 499KL / 499KG waist high digital beam scale is shipped disassembled in one carton. Carefully inspect the carton for shipping damage before unpacking. If damage is found, contact your shipper or a Health o meter® Professional representative immediately at 1-800-815-6615. Claims must be filed with the shipper as soon as possible after receipt of the package. The following information details what you will find inside the main carton as you unpack the parts for assembly.

To prevent scratching any components, carefully remove each assembly from the carton and unwrap the packing materials. Set the carton aside for storage. To avoid damaging the scale parts when unpacking, do not use a box cutter, knife, scissors, or any sharp object to open the protective inner packaging.

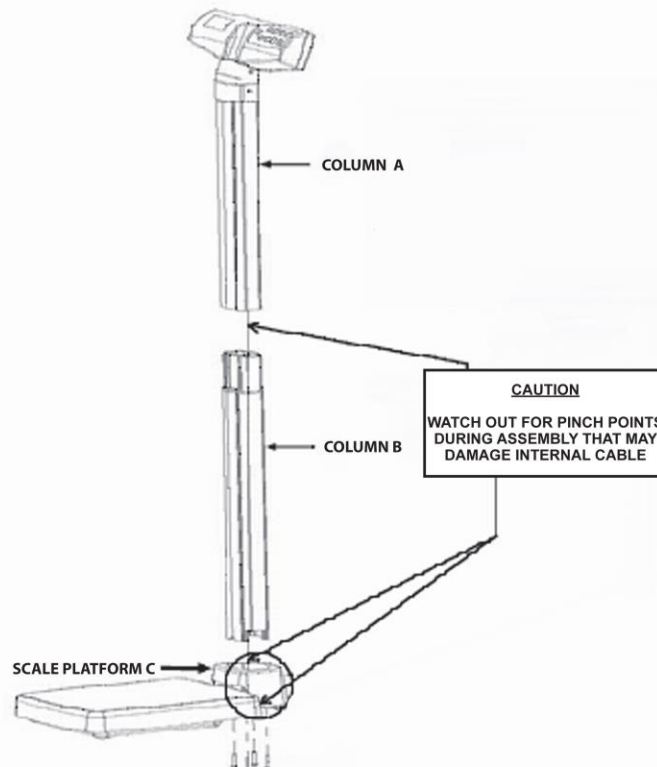
## Parts List

### Carton

- (1) Scale platform (C)
- (1) Upper column w/ display assembly (Column A)
- (1) Lower column (Column B)
- (6) AA batteries
- (1) User instructions

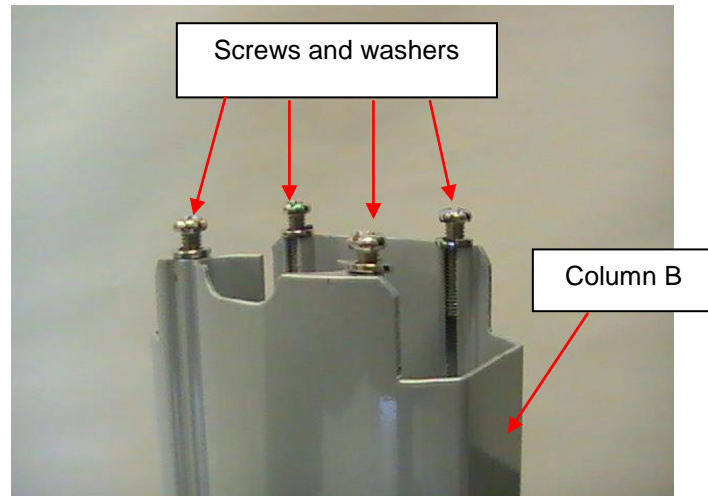
## Tools Required

Phillips head screwdriver (not included)

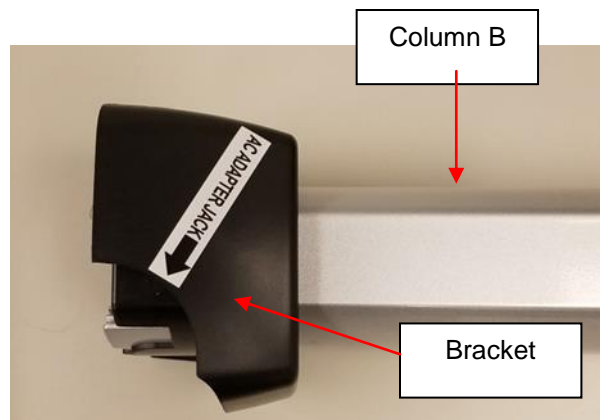


## ASSEMBLY INSTRUCTIONS (CONTINUED)

1. Carefully remove the scale platform and columns A and B from the carton. Place the scale platform and columns on a flat, level, and dry surface. Remove the 4 column mounting screws and washers from the bottom of column B and set aside for assembly step 7.

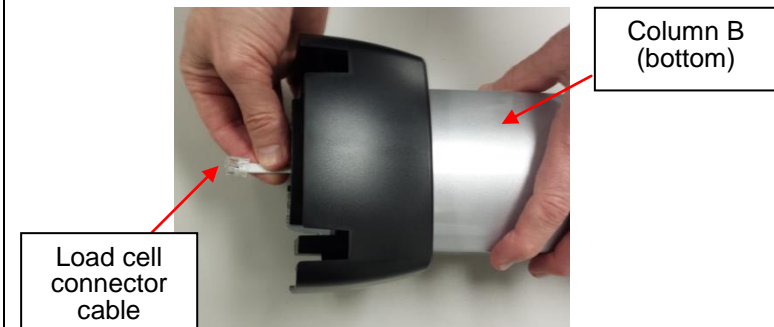
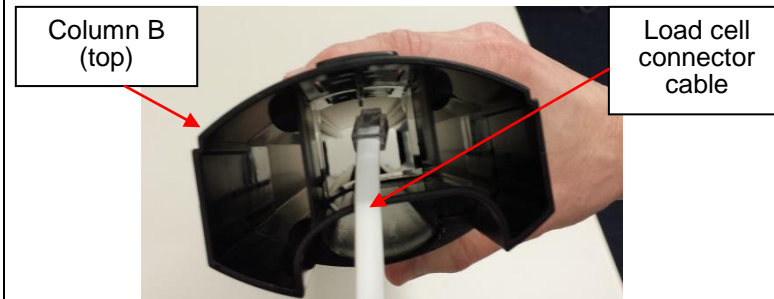
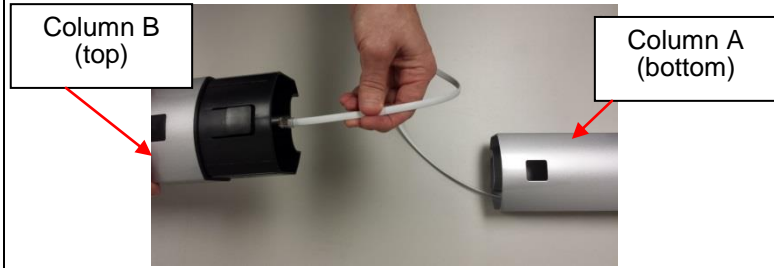


2. Remove the black bracket from scale platform C. Read the "Attention" label then remove it from the bracket. Place the bracket on the bottom of Column B with the adapter jack arrow sticker pointing towards the bottom of the column.

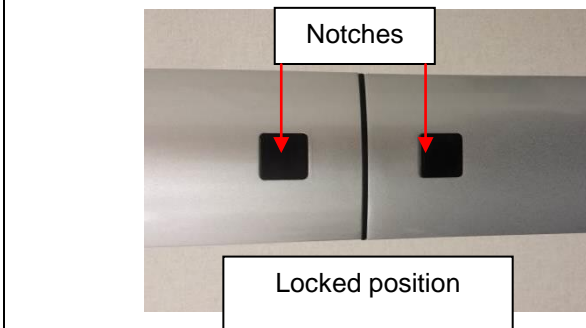
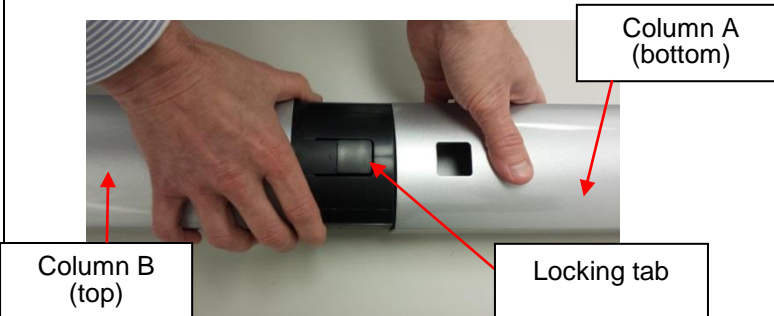


# ASSEMBLY INSTRUCTIONS (CONTINUED)

3. Locate the load cell connector cable inside column A. While holding column B, slide the cable through the center opening at the top of column B. Push the cable all the way through Column B until the plug reaches the bottom of the column.



4. Align column A and column B. Notches are located at the bottom of column A and the top of column B. Snap the locking tab into place. Ensure that the locking tab is locked securely into place. **Note: When aligning and locking the columns, use caution not to pinch the load cell connector cable.**



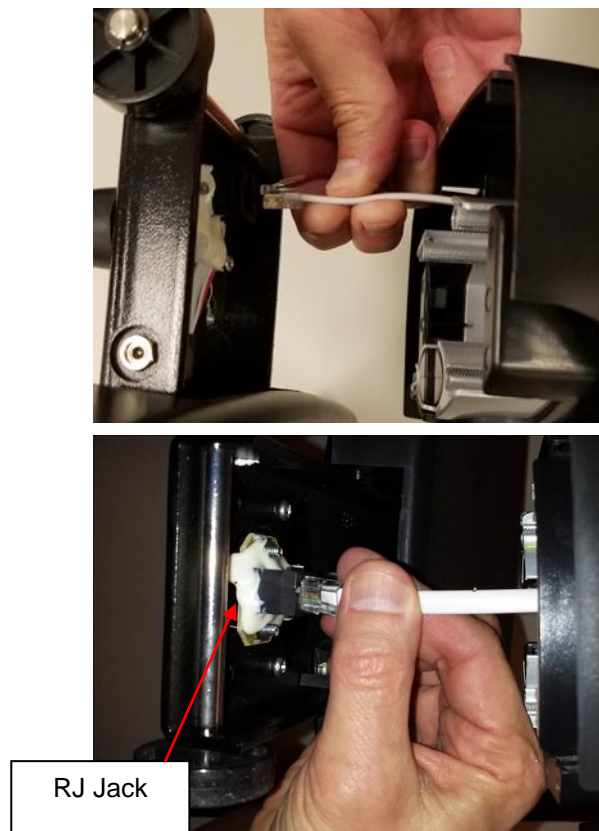


## ASSEMBLY INSTRUCTIONS (CONTINUED)

5. Place scale platform C on its side and place Column B on its side, perpendicular to the platform. The front of the display head on Column A should be facing forward and above scale platform C.



6. Carefully pull the cable connector from the bottom of Column B and plug into the RJ jack on scale platform C. **Caution: Once connected, keep a firm grip on the columns to ensure the load cell connector cable is not pulled out from the RJ jack. This cable connects the load cells to the display head and must be entirely plugged in for the scale to function properly.**



## ASSEMBLY INSTRUCTIONS (CONTINUED)

7. Position and secure the connected columns A and B to scale platform C. Locate the 4 column mounting screws previously removed in step 2. Ensure that washers are located between the screw heads and the scale platform C screw holes. Insert the 4 screws through the bottom of scale platform C screw holes and into Column B. Using a Phillips head screwdriver, tighten the screws to secure Column B to the base of platform C.



# POWERING THE SCALE

## Powering the Scale – Inserting Batteries

1. With a Phillips head screwdriver remove the screw from the battery compartment cover located on the back of the display. Remove the battery cover by pressing downward on the locking tab.



2. Replace or install 6 new AA batteries. Health o meter® Professional recommends using an alkaline or lithium battery, rated for 130°F (54°C) operation. Do not use zinc-carbon batteries.
3. Re-attach the battery cover to the display assembly.
4. Ensure all objects are removed from the scale's platform, and then press the **ON/OFF** button to turn the scale on. The display will show "Start", then "0.0" LB. LB (Pounds) is the default weight measuring unit upon initial set-up/assembly. Press the **LB/KG** button to select your desired weight mode (LB or KG). (499KL only)

**Note:** The battery icon on the display does not indicate battery life. The battery icon simply indicates that batteries are being used as the power source.

**Note:** If the set up procedure fails, refer to the troubleshooting instructions. If the problem is not corrected, contact Health o meter Professional Scales Customer Service at 1-800-815-6615.

**Note:** If "Lo" appears on the display, it indicates that the battery power is low. It does NOT indicate a problem with the weight measurement.

**Warning:** If the scale will not be used for some time, remove the batteries to avoid a safety hazard. Disposal of batteries must be performed in accordance with the prevailing national, regional or local regulations that apply to you.

## Optional AC Adapter

1. Connect the AC adapter (not included) into the adapter jack on the scale platform C.

**Warning:** To avoid a safety hazard, use only a Health o meter® Professional AC adapter.



2. Plug the scale's AC adapter into the power source.
3. When the AC adapter is disconnected from the scale, the scale will switch to battery power if batteries are installed.

**Caution:** Always plug the AC adapter into the scale first, then into the power source/wall outlet.

# SET UP INSTRUCTIONS

## Auto-Off Function

As an energy saving feature, the scale will automatically turn off after 2 minutes of inactivity. By default, this function is enabled. Note: The scale will not auto-off if a weight is held on the display. Press **HOLD/RELEASE** to release the held weight.

## Disable Auto-Off

1. While the scale is turned off, press and hold the **HOLD/RELEASE** button.
2. While holding the **HOLD/RELEASE** button, press the **ON/OFF** button to turn the scale on.
3. "START" will briefly appear on the display followed by "AOF=0".
4. Auto-off is now disabled and the scale will remain on until the scale is manually turned off.

## Enable Auto-Off

1. While the scale is turned off, press and hold the **HOLD/RELEASE** button.
2. While holding the **HOLD/RELEASE** button, press the **ON/OFF** button to turn the scale on.
3. "START" will briefly appear on the display followed by "AOF=1".
4. Auto-off is now enabled.

## To Change Weight Measuring Unit LB to KG/KG to LB (499KL Only)

**Note:** LB (Pounds) is the default weight measuring unit upon initial set-up/assembly.

1. Press the **ON/OFF** button to turn the scale on.
2. Wait for "0.0" LB or "0.0" KG to appear on the display.
3. Press the **LB/KG** button to choose between LB or KG.

**Note:** The scale will always default to the unit last used even after it has been powered off and back on again. To lock the scale in a weight measuring unit follow the instructions below.

## LB/KG Lock Out (499KL Only)

The weight measuring unit can be locked to only measure in KG or LB.

## KG Lock Instructions (499KL Only)

1. Press the **ON/OFF** button to turn the scale on. Wait for "0.0" to appear on the display.
2. Press and hold the **LB/KG** button so the KG icon is displayed and continue holding the **LB/KG** button for approximately 10 seconds.
3. When the KG icon flashes, release the **LB/KG** button. The KG weight measuring unit is now locked and will remain locked even if the scale is turned off.

## LB Lock Instructions (499KL Only)

**Note:** To lock in LB weight mode, you must follow the instructions above to lock in KG weight mode first.

1. Once the scale is locked in KG mode, press and hold the **LB/KG** button for approximately 10 seconds until the LB icon flashes.
2. When the LB icon flashes, release the **LB/KG** button. The LB weight measuring unit is now locked and will remain locked even if the scale is turned off.

## Disabling LB/KG Lock Out (499KL Only)

**Note:** If your scale is locked in KG mode, you must first follow the instructions above to lock into LB mode, and then begin the disabling instructions below.

1. Press the **ON/OFF** button to turn the scale on. Wait for "0.0" to appear on the display.
2. Press and hold the **LB/KG** button until LB and KG icons *both* flash. When LB and KG are flashing, release the **LB/KG** button. The weight measuring unit is now unlocked; pressing the **LB/KG** button will allow user to toggle between LB and KG.

# OPERATING INSTRUCTIONS

## Keypad



(Note: there is no LB/KG button on the 499KG)

Function	Description
<b>ON/OFF</b>	Turns scale on and off.
<b>ZERO</b>	Zeroes or tares the scale prior to a weighing.
<b>HOLD/RELEASE</b>	Holds the weight value of the patient on the display until the button is pressed again to clear the value.
<b>BMI</b>	Prompts entry of height data to calculate patient's Body Mass Index (BMI).
<b>LB/KG</b>	Toggles between pounds (LB) and kilograms (KG). (499KL only)
<b>CLEAR</b>	Clears the incorrect height input when in BMI mode.
<b>UP ▲</b>	Increases height input (0.5 in / 0.5 cm increments)
<b>DOWN ▼</b>	Decreases height input (0.5 in / 0.5 cm increments)
<b>ENTER</b>	Accepts height value in BMI mode.

# OPERATING INSTRUCTIONS (CONTINUED)

## Weighing a Patient

**Note:** When this scale is turned on, it will always default to the settings and units last used (LB or KG).

1. With all weight off the scale, press the **ON/OFF** button to turn on the scale.
2. “StArt” will briefly appear on the display, followed by “0.0” LB or “0.0” KG.



3. Assist the patient onto the scale. The scale will begin to display weight information. When a stable weight is determined, “LOCK” will appear along with the patient’s weight. Depending on the movement of the patient on the scale, it may take several seconds for the scale to lock onto the weight.

**Caution: To prevent patient injury, the patient must be attended throughout the entire weighing event.**

4. The weight may be held on the display by pressing the **HOLD/RELEASE** button. To release, press the **HOLD/RELEASE** button again. **Note:** The scale will not auto-off if a weight is held on the display.
5. After the weight measurement has been taken, have the patient step off the scale.
6. Press the **ON/OFF** button to turn the scale off.

## Zero Function

Zeroes the scale prior to a weight measurement. The **ZERO** button is also used in the Tare function outlined below.

## Tare Function

When using this scale, the weight of an object, such as a portable oxygen tank, can be subtracted from the total weight in order to determine the weight of the patient alone.

1. With all weight off the scale, press the **ON/OFF** button to turn on the scale.
2. “StArt” will briefly appear on the display, followed by “0.0” LB or “0.0” KG.
3. Place the object on the scale. The display will show a value for the object’s weight. The minimum weight that can be tared is 5 lb / 2.27 kg. Note: The scale must lock onto a weight before it can be tared.
4. Press the **ZERO** button. The word “TARE” will appear on the display, followed by “0.0” LB or “0.0” KG.
5. Keep the object on the platform, and have the patient to step onto the scale. The scale will automatically deduct the weight of the object and only display the patient’s weight.
6. When you remove the item from the platform, “under” will be temporarily displayed and then the display will return to “0.0” LB or KG.

## OPERATING INSTRUCTIONS (CONTINUED)

### **BMI Function**

Body Mass Index (BMI) is a ratio between a person's weight and height and interpreted as a BMI score. This BMI score is then used as a tool to categorize a patient as underweight, normal, overweight, obese or morbidly obese.

**Note:** The scale will not calculate BMI for a patient that is 24 pounds (12 kg) or less.

**Note:** If a height is not entered for the patient within 30 seconds of pressing the **BMI** button and no weight is on the platform, the scale will return to the normal weighing mode.

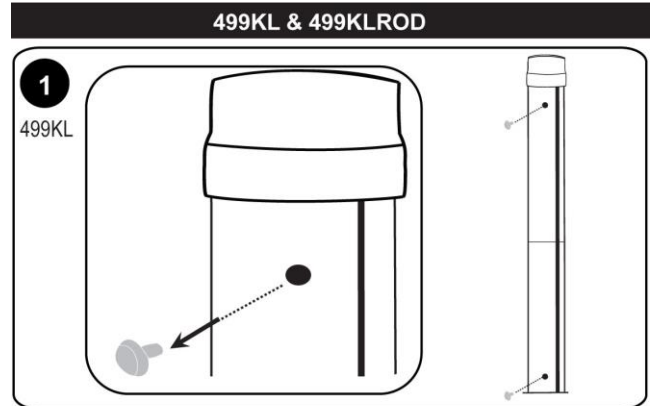
1. With all weight off the scale, press the **ON/OFF** button to turn on the scale.
2. "StArt" will briefly appear on the display, followed by "0.0" LB or "0.0" KG.
3. Assist the patient onto the scale. The scale will begin to display weight information. When a stable weight is determined, "LOCK" will appear along with the patient's weight. Depending on the movement of the patient on the scale, it may take several seconds for the scale to lock onto the weight.
4. After obtaining the patient's weight and with the patient remaining on the scale, press the **BMI** button.
5. The display will show 65.0" (in LB mode) or 150.0 cm (in KG mode). Use the keypad ▲ and ▼ buttons to enter the patient's height in inches if weighing in LB or centimeters if weighing in KG.
6. Once height is keyed in, press the **ENTER** button.
7. The display will show the patient's BMI.
8. Press the **CLEAR** button to return to the weighing mode.

# ASSEMBLY INSTRUCTIONS FOR OPTIONAL HEIGHT ROD (499KLROD)

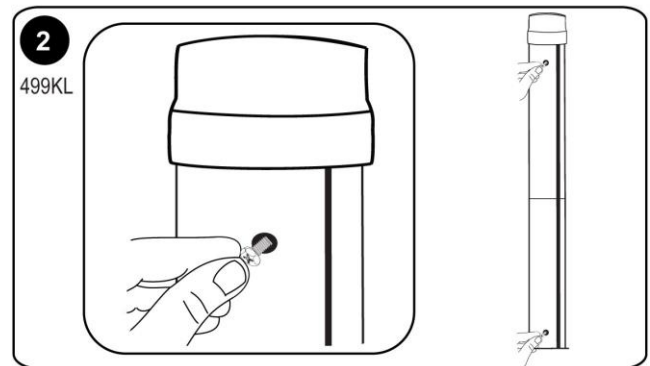
**Note:** These instructions are for mounting the optional height rod (499KLROD) to the 499KL / 499KG scale. A height rod is not included with the 499KL / 499KG scale and can be purchased separately as item # 499KLROD.

## Mounting 499KLROD

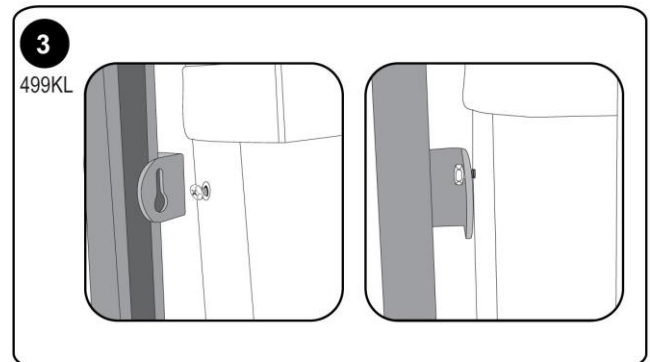
1. Remove the 2 plastic screw covers on the pillar of the scale.



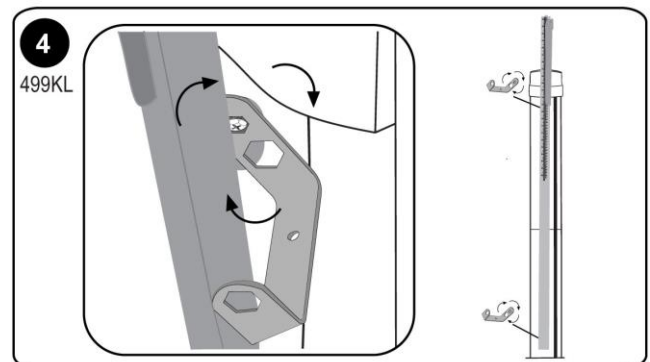
2. Insert the enclosed screws into the holes on the pillar.



3. Position the large keyhole slots on the height rod over each screw head. When positioned correctly over both screws, gently slide the 499KLROD all the way down, in order to secure the keyhole locks.



4. Tighten the screws with the enclosed wrench (wrench is provided with the 499KLROD). An open-ended wrench can be used to tighten screws as well.





# HEIGHT MEASUREMENT INSTRUCTIONS

**Note:** These instructions are for measuring height using the optional height rod. A height rod is not included with the scale and can be purchased separately as item # 499KLROD.

**WARNING:** Use caution when sliding height rod up and down. The rod should move smoothly. Fold headpiece down when not in use.

**Note:** A patient needs to be a minimum of 23-5/8" (60 cm) in height.

1. With the headpiece in the folded down position, slide the headpiece up or down to the estimated height of the patient. Then raise the headpiece into its horizontal position.

**NOTE: FOLD HEADPIECE DOWN BEFORE EXTENDING HEIGHTROD**

**CORRECT**



**INCORRECT**



To lower height rod below 46 3/8", push the tab at the top of the height rod and gently lower the headpiece.



Push tab inward to lower height rod below 46 3/8"

2. Ensure that the patient's posture is upright, and that the patient's head is straight and level. Slide the headpiece down until it rests on the patient's head.

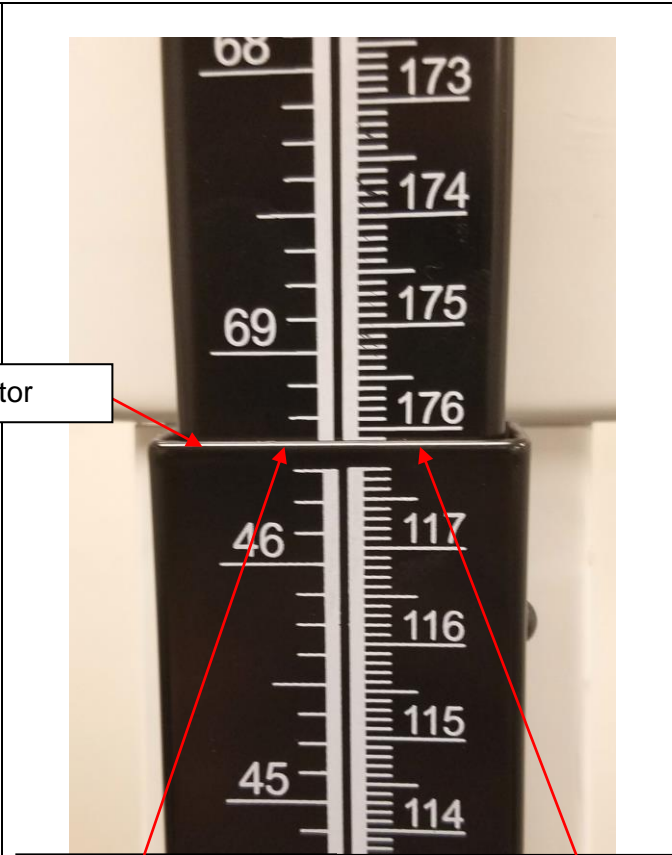
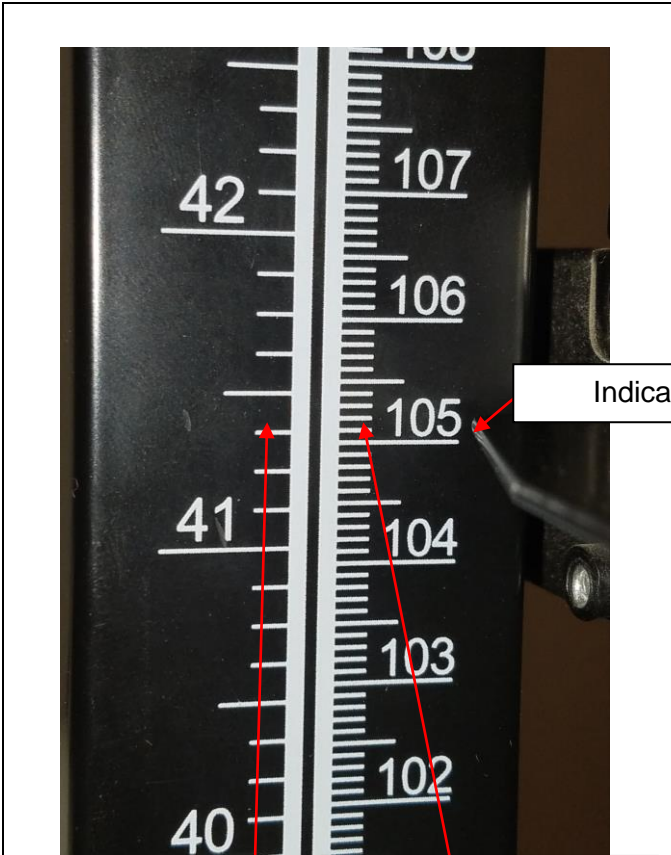


3. Determine the patient's height by reading the value on the measuring strip nearest to the line on the indicator, as shown on the next page.

# HEIGHT MEASUREMENT INSTRUCTIONS

Height Rod Below 46 3/8"

Height Rod Extended Above 46 3/8"

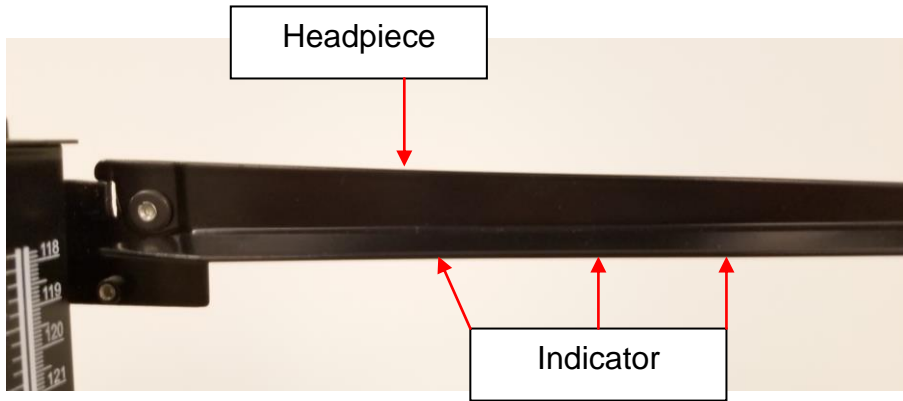


Inches read: 41" + 3/8" = 41 3/8"

Cm read: 105 cm + 0.2 cm = 105.2 cm

Inches read: 69" + 3/8" = 69 3/8"

Cm read: 176 cm + 0.2 cm = 176.2 cm



# CALIBRATION

**This scale has been factory calibrated, and does not require calibration prior to use.** If required, the scale can be calibrated. Calibration of your scale is performed using kilograms (KG) or pounds (LB), according to the units of measure used upon entering into the calibration path. When calibrating in pounds, a total of 300 lbs is required, applied in increments of 100 lb, 200 lb and 300 lb. If calibrating in kilograms, a total of 120 kg is required, applied in increments of 40 kg, 80 kg and 120 kg.

**THE 499KG CAN ONLY BE CALIBRATED IN KILOGRAMS.**

**Note: Only weights certified and traceable to national standards should be used for calibration procedures.**

ACTION	DISPLAY SHOWS
With the scale off, press and hold the <b>LB/KG</b> button (499KL) or the blank blue button (499KG) and <b>ZERO</b> buttons at the same time, then press the <b>ON/OFF</b> button to turn on the scale. Release all three buttons when “CAL” appears on the display. Numbers will appear indicating that you can begin calibration.	“CAL” followed by numbers
When calibration numbers stabilize, press the <b>ZERO</b> button. “C-100” (for LB mode) or “C-40” (for KG mode) will flash on the display, followed by “0” or “1”.	Numbers followed by “C-100” (LB mode) or “C-40” (KG mode) then “0” or “1”.
Place 100 lbs or 40 kg on the scale. Numbers will appear on the display. When calibration numbers stabilize, press the <b>ZERO</b> button. “C-200” (for LB mode) or “C-80” (for KG mode) will appear on the display, followed by “0” or “1”.	Numbers followed by “C-200” (LB mode) or “C-80” (KG mode) then “0” or “1”.
Place an additional 100 lbs or 40 kg on the scale, for a total of 200 lbs or 80 kg. Numbers will appear on the display. When calibration numbers stabilize, press the <b>ZERO</b> button. “C-300” (for LB mode) or “C-120” (for KG mode) will appear on the display, followed by “0” or “1”.	Numbers followed by “C-300” (LB mode) or “C-120” (KG mode) then “0” or “1”.
Place an additional 100 lbs or 40 kg on the scale, for a total of 300 lbs or 120 kg. Numbers will appear on the display. When calibration numbers stabilize, press the <b>ZERO</b> button. “END” will appear on the display, followed by “OFF”. The scale will automatically shut off.	Numbers followed by “END” then “OFF”

# TROUBLESHOOTING

## Troubleshooting

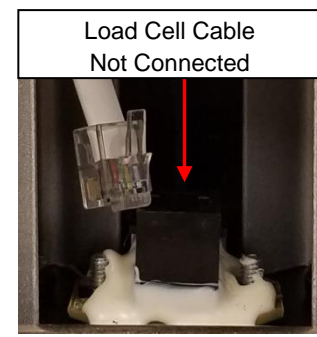
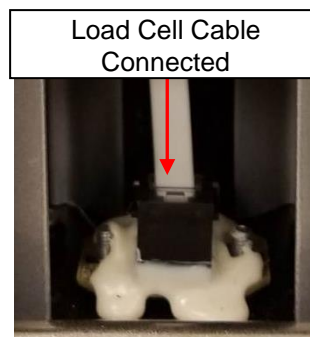
Before contacting service personnel, refer to the following instructions to check and correct any failures.

Symptom	Possible Cause	Corrective Action
Scale does not turn on	<ol style="list-style-type: none"> <li>1. Dead battery</li> <li>2. Faulty electrical outlet</li> <li>3. Bad power supply</li> </ol>	<ol style="list-style-type: none"> <li>1. Replace batteries</li> <li>2. Use a different outlet</li> <li>3. Replace AC adapter</li> </ol>
Questionable weight or the scale does not zero	<ol style="list-style-type: none"> <li>1. External object interfering with the scale</li> <li>2. The display did not show "0.0" before weighing</li> <li>3. Scale is not placed on a level floor</li> <li>4. Scale is out of calibration</li> </ol>	<ol style="list-style-type: none"> <li>1. Remove interfering object from the scale</li> <li>2. Ask the patient to get off the scale, zero the scale and begin weighing process again</li> <li>3. Place the scale on a level floor and begin weighing process again</li> <li>4. Check weight with known weight value</li> </ol>
Weighing is performed but the weighing process takes too long and the weight does not lock on the display	The patient is not standing still	Ask the patient to stand still
The display shows "Over" message	The load on the scale exceeds the capacity (500 lb / 220 kg)	Remove the excess weight and use the scale according to its limits
The display shows "Lo" message	The batteries are depleted	Replace batteries according to instructions
Scale turns on but will not register a weight reading	Load cell connector cable is not plugged in	Refer to the instructions below to inspect the load cell cable.

## Inspecting the Load Cell Cable



1. Using a Phillips screwdriver, remove the door at the back of the platform base.



2. Inspect the load cell connector cable to ensure it is completely plugged into the RJ jack. If cable was plugged in, unplug and plug in again until it clicks into place. After checking connection, replace door at the back of the platform base.

# MAINTENANCE

## **Maintenance**

The following pages provide instructions for maintenance, cleaning, calibrating, and troubleshooting for the 499KL / 499KG scale. Maintenance operations other than those described in this manual should be performed by qualified service personnel.

**Caution: Before first use, or after long periods of non-use, check the scale for proper operation and function. If the scale does not operate correctly, refer to qualified service personnel.**

1. Check overall appearance of the scale for any obvious damage, wear, and tear.
2. Inspect the AC adapter cord for cracking or fraying, or for broken/bent prongs.

**Note:** This scale is an extremely sensitive weighing device. Items such as clothing or towels placed or dropped on the scale may cause a scale to activate. In order to prevent battery depletion, do not store or leave anything on the scale.

## **Cleaning and Disinfecting**

Proper care and cleaning is essential to ensure a long life of accurate and effective weighing.

1. Health o meter® Professional recommends using one of the following solutions on a soft cloth or disposable wipe:
  - mild soap and water solution
  - 70% isopropyl alcohol
  - solution with 1-5% hydrogen peroxide concentrationAfter cleaning/disinfecting, wipe with a cloth dampened with water and then with a clean dry cloth. To avoid residue build-up or damp surfaces, ensure all scale parts are completely dry after cleaning.
2. Never use rough or abrasive materials to clean the scale, as these will damage the scale's finish.
3. Do not submerge the scale in water or any other liquid.
4. Do not pour or spray fluids directly on the scale.

## **Replacement Parts**

Parts may be available if a piece of the scale needs to be replaced. Contact Health o meter® Professional Scales Customer Service at 1-800-815-6615 to inquire about the availability of these replacement parts.

<b>Part #</b>	<b>Description</b>
500KLKEYPAD	Keypad overlay
80-00682	Keypad overlay for 499KG
499KLROD	Optional Height rod
500KLWHEELS	Set of 2 wheels
500KLFOOT	Foot for base
500KLMAT	Replacement mat for platform
BATTDOR500	Battery compartment door
500KLPILLARFOOT	Foot for pillar
ADPT31	Power adapter

# WARRANTY

## Limited Warranty

### **What does the Warranty Cover?**

Health o meter® Professional scales are warranted from date of purchase against defects of materials or in workmanship for a period of two (2) years. If product fails to function properly, return the product, freight prepaid and properly packed to Pelstar, LLC (see "To Get Warranty Service", below, for instructions). If the manufacturer determines that a defect of material or in workmanship exists, the customer's sole remedy will be replacement of the scale at no charge. Replacement will be made with a new or remanufactured product or component. If the product is no longer available, replacement may be made with a similar product of equal or greater value. All replaced parts are covered only for the original warranty period.

### **Who is Covered?**

The original purchaser of the product must have proof of purchase to receive warranty service. Please save your invoice or receipt. Pelstar dealers or retail stores selling Pelstar products do not have the right to alter, or modify or any way change the terms and conditions of this warranty.

### **What is Excluded?**

**Your warranty does not cover normal wear of parts or damage resulting from any of the following:** negligent use or misuse of the product, use on improper voltage or current, use contrary to the operating instructions, abuse including tampering, damage in transit, or unauthorized repair or alternations. Further, the warranty does not cover natural disasters, such as fire, flood, hurricanes and tornadoes. This warranty gives you specific legal rights, and you may also have other rights that vary from country to country, state to state, province to province or jurisdiction to jurisdiction.

**To get Warranty Service make sure you keep your sales receipt or document showing proof of purchase.** Call (+1) 800-638-3722 or (+1) 708-377-0600 to receive a return authorization (RA) number, which must be included on the return label. Attach your proof of purchase to your defective product along with your name, address, daytime telephone number and description of the problem. Carefully package the product and send with shipping and insurance prepaid to:

Pelstar, LLC  
Attention R/A# \_\_\_\_\_  
Return Department  
9500 W. 55<sup>th</sup> St.  
McCook, IL 60525

### **Extended Warranty Available\***

This scale is eligible for Health o meter® Professional ScaleSurance® Extended Warranty Program. ScaleSurance® extends the warranty period for an additional two years. This extension to the standard Limited Warranty can be purchased with new scales or for a facility's existing scale before its current warranty has expired. To learn more, visit [www.homscales.com/scalesurance/](http://www.homscales.com/scalesurance/) or contact your medical supply distributor.

\*Not available in all countries



**PELSTAR, LLC**

**9500 West 55th St. McCook, IL 60525-7110 USA**

**1-800-638-3722 or 1-708-377-0600**

PLEASE REGISTER YOUR SCALE FOR WARRANTY COVERAGE AT:

[www.homscales.com](http://www.homscales.com)

Health o meter® is a registered trademark of Sunbeam Products, Inc. used under license.

Health o meter® Professional products are manufactured, designed, and owned by Pelstar, LLC.

We reserve the right to improve, enhance, or modify Health o meter® Professional product features or specifications without notice.

© Pelstar, LLC 2019

**Health o meter<sup>®</sup>**  
**P r o f e s s i o n a l**

**499KL / 499KG**  
**Balanza Digital Con Pantalla**  
**a la Altura de la Cintura**



**ISO13485:2016**  
**CERTIFIED**



E112697  
UL 60601-1  
CSA C22.2 No. 601.1-M90

**Instrucciones de Uso**



**PELSTAR, LLC 9500 West 55th St. McCook, IL 60525-7110 USA**

**[www.homsscales.com](http://www.homsscales.com)**

Health o meter<sup>®</sup> Professional 499KL  
Health o meter<sup>®</sup> Professional 499KG

© Pelstar, LLC 2019

**weigh**easier<sup>®</sup>

Gracias por comprar este producto Health o meter® Professional. Lea con detenimiento este manual, y guárdelo para consulta rápida o capacitación.

## ÍNDICE

Precauciones .....	3
Especificaciones .....	4
Certificaciones / Conectividad / Eliminación .....	5
Instrucciones de Ensamblaje .....	6
Alimentando la Balanza .....	11
Instrucciones De Configuración .....	12
Instrucciones De Operación .....	13
Instrucciones de Ensamblaje Para 499KLROD Opcional.....	16
Instrucciones Para la Medición de la Altura.....	17
Calibración .....	19
Solución de problemas .....	20
Mantenimiento .....	21
Garantía .....	22

**Nota: La balanza se calibró desde fábrica y no necesita calibrarse antes de utilizarse.**

Registre la balanza para que la garantía sea válida en:  
[www.homscales.com/product-support/technical-support/product-warranty-registration](http://www.homscales.com/product-support/technical-support/product-warranty-registration)

Para recibir actualizaciones y correcciones de las instrucciones de uso visite:  
[www.homscales.com](http://www.homscales.com)



# PRECAUCIONES

## **USO PREVISTO**

Esta balanza profesional Health o meter<sup>®</sup> está diseñada para ser utilizada en un entorno médico profesional por personal médico capacitado. Este producto fue diseñado para pesar a los pacientes que están posicionados de manera segura y de pie en la plataforma. No modifique el producto ni lo use para otro fin que no sea el previsto.

**Para evitar lesiones al paciente / cuidador o daños a su balanza, siga las instrucciones de este manual de usuario con mucho cuidado.**

- No exceda la capacidad de peso especificada para esta balanza.
- Para un pesaje preciso, esta balanza debe colocarse en una superficie plana y estable.
- Para un pesaje preciso, verifique antes de cada uso la operación adecuada de acuerdo con el procedimiento descrito en este manual.
- No lo use en presencia de materiales inflamables o explosivos.
- Si la balanza se daña, no debe operarse hasta que reciba el mantenimiento adecuado.
- No transporte la balanza con un paciente u objeto en la balanza.
- No mueva ni baje la balanza por las escaleras, ya que podría dañar las partes internas.
- Asegúrese de que el adaptador de CA y la balanza no entren en contacto con líquidos, temperatura excesiva o humedad excesiva.
- Tenga cuidado al ensamblar la columna de balanza para no pellizcar el cable del conector de la celda de carga.

## **Seguridad del paciente / cuidador**

- Esta balanza está diseñada para el pesaje estático de pacientes solamente. No se debe usar ninguna balanza para la transferencia del paciente.
- El paciente debe usar calcetines u otra forma de cobertura ligera de los pies durante el evento de pesaje.
- Para prevenir lesiones del paciente, el paciente debe ser atendido durante todo el evento de pesaje. Los cuidadores deben asegurarse de que el paciente está estable y proporcionar apoyo cuando sea necesario al subir y bajar de la balanza.

## **Utilizar la balanza con el adaptador de corriente eléctrica opcional:**

- Utilice la balanza únicamente con el adaptador de corriente eléctrica proporcionado por Health o meter<sup>®</sup> Professional. Si utiliza un adaptador diferente anulará la garantía, y puede presentar un serio peligro de seguridad.
- Puede utilizar el adaptador de corriente ADPT31 (US y Canada) o ADPT30 (Internacional) (no incl.)
- Antes de utilizar la balanza, verifique si el cable del adaptador de corriente eléctrica tiene grietas, desgaste o algún diente roto o doblado.
- Antes de usar la balanza, asegúrese que el adaptador de corriente eléctrica esté conectado a un enchufe con voltaje adecuado para su uso.
- Asegúrese que el enchufe esté conectado a un regulador o a otra fuente con protección eléctrica.
- Asegúrese que el adaptador de corriente eléctrica y la balanza no estén en contacto con líquidos y bajo temperatura o humedad excesiva.
- Desconecte el adaptador de corriente eléctrica, y almacene con cuidado el adaptador y el cable antes de desplazar la balanza.
- Si la balanza se conecta a otro dispositivo médico, no debe utilizar el adaptador de corriente. Desconecte el adaptador de corriente de la balanza y utilice sólo la batería. Con esto asegura un aislamiento eléctrico adecuado.

## **Al operar la balanza con pilas:**

- Si se activa el indicador "Lo", reemplace la batería o conecte el adaptador de corriente eléctrica en ese instante.
- Al momento de reemplazar o insertar la batería, asegúrese de utilizar una batería nueva.

Este equipo se ha probado y cumple con los límites de Compatibilidad Electromagnética (EMC, por sus siglas en inglés) para la Directiva de Dispositivos Médicos 93/42/EEC (EN 55011 Clase A y EN 60601-1-2). Dichos límites se establecieron para proporcionar una protección razonable en contra de la interferencia perjudicial dentro de una típica instalación médica. La balanza genera, utiliza y puede emitir energía de radiofrecuencia y, de no instalarse y utilizarse de acuerdo a estas instrucciones puede causar interferencia perjudicial en otros dispositivos cercanos. No se garantiza que no ocurra interferencia dentro de una instalación en particular. Si la balanza causa interferencia negativa con otros dispositivos, que puede determinarse al apagar y encender el equipo, alentamos al usuario a tratar de eliminar la interferencia mediante una o más de las siguientes medidas:

- Vuelva a orientar o colocar el dispositivo afectado.
- Incremente la separación entre los equipos.
- Conecte la balanza a un enchufe de un circuito diferente al utilizado por el otro dispositivo.
- Contacte al Servicio al Cliente o a un servicio técnico especializado para que lo asista.

**En ningún caso, Pelstar, LLC será responsable de los daños o lesiones que surjan o estén relacionados con el ensamblaje, el uso o el uso indebido de sus productos.**

# ESPECIFICACIONES

## General

La balanza de columna digital a nivel de vista modelo 499KL/499KG utiliza tecnología computarizada muy sofisticada. Cada balanza de precisión está diseñada para mostrar medidas de peso exactas, confiables y repetibles. Además, cada balanza está diseñada para brindar al usuario características que hacen que el procedimiento de pesaje sea sencillo, rápido y práctico.

En el 499KL, el peso puede mostrarse en libras (lb) o en kilogramos (kg). En el peso 499KG se muestra en kilogramos solamente. **La balanza puede funcionar con un adaptador de corriente eléctrica (no incluido) o con 6 baterías AA (incluidas).**

## Especificaciones

Capacidad y resolución	499KL; 500 lb x 0.2 lb (220 kg x 0.1 kg) 499KG: 220 kg x 0.1 kg	
Requisitos de energía	Adaptador modelo no UE15WCP1-090050SPA, parte no UE160714HKKK1-P Health o meter® Professional Modelo (ADPT30) (No incluido) Entrada: 100-240V – 50/60Hz, 500mA Salida : 9.0V - - 0.5A o 6 baterías AA (incluido)	
Entorno	Temperaturas operacionales: 50°F hasta 104°F (10°C hasta 40°C) Temperaturas de almacenamiento: 30°F hasta 122°F (0°C hasta 50°C) Humedad máxima: 95% Humedad Relativa	
Dimensiones Físicas	<b>Balanza (Dimensiones generales)</b> Ancho: 14 1/8" (359 mm) Profundidad: 21 1/8" (537 mm) Alto: 43 1/2 (1105 mm) Peso: 20 lb (9 kg)	<b>Plataforma (Área de la plataforma)</b> Ancho: 13 3/4" (349 mm) Profundidad: 16 1/2" (419 mm) Alto: 2-3/8" (60 mm)

# DEFINICIÓN DE LOS SÍMBOLOS



Atención, consulte los documentos adjuntos



Rango de temperatura  
(10°C hasta 40°C / 50°F hasta 104°F)





Partes aplicadas tipo B



Suministro eléctrico de corriente alterna (CA) y corriente continua (CC)

# CERTIFICACIONES / CONECTIVIDAD / ELIMINACIÓN

## Descripciones de certificación

	Pelstar, LLC ha sido certificado oficialmente como fabricante de dispositivos médicos Health o meter® Professional en conformidad con estrictas condiciones legales. El sistema de control de calidad de Pelstar, LLC cubre el diseño, la mercadotecnia y la distribución de las balanzas especializadas para la industria de la salud.
	This product is tested to and meets the requirements of: 1. UL60601-1 First Edition: Safety for Medical Electrical Equipment 2. CSA C22.2 No. 601-1 M90: Medical Electrical Equipment

## Información de conectividad de la balanza

Para una transmisión confiable de datos de peso, esta balanza está diseñada para conectarse a una computadora, monitor u otro dispositivo de datos electrónicos a través de soluciones de conectividad profesional Health o meter®. Esta conectividad ayuda a minimizar los errores de transcripción cuando se graban datos de pacientes. Para obtener más información sobre cómo conectar esta balanza a otros dispositivos electrónicos, comuníquese con el Soporte técnico de Health o meter® Professional Scales al 800-638-3722 o visite [www.homsscales.com/innovations/connectivity](http://www.homsscales.com/innovations/connectivity).

## Eliminación de la balanza



La balanza Health o meter® Professional debe eliminarse como deshecho electrónico de forma adecuada. Debe cumplir con las regulaciones nacionales, regionales o locales en vigor para eliminar desechos electrónicos o baterías. No se deshaga de este dispositivo en canales de desechos domésticos.

# INSTRUCCIONES DE ENSAMBLAJE DEL MODELO

## Antes de ensamblar

Cada balanza de columna digital a nivel de vista 499KL / 499KG se envía desarmada dentro de una caja. Revise la caja con detenimiento para localizar daños causados durante el envío antes de desempacar la balanza. Si encuentra algún daño, contacte de inmediato al transportista o a un representante de Health o meter® Professional al teléfono 1-800-815-6615. Debe presentar cualquier queja ante el transportista al momento de recibir el paquete. La siguiente información menciona a detalle lo que encontrará dentro de la caja a medida que saca las partes para su ensamblaje.

Para evitar que alguno de los componentes se raspe, saque con cuidado cada parte y retire los materiales de embalaje. Aparte la caja y guárdela. Para evitar que alguna parte de la balanza se dañe durante el proceso de desembalaje, no utilice una navaja, cuchillo, tijeras o cualquier objeto puntiagudo para abrir el embalaje protector interno.

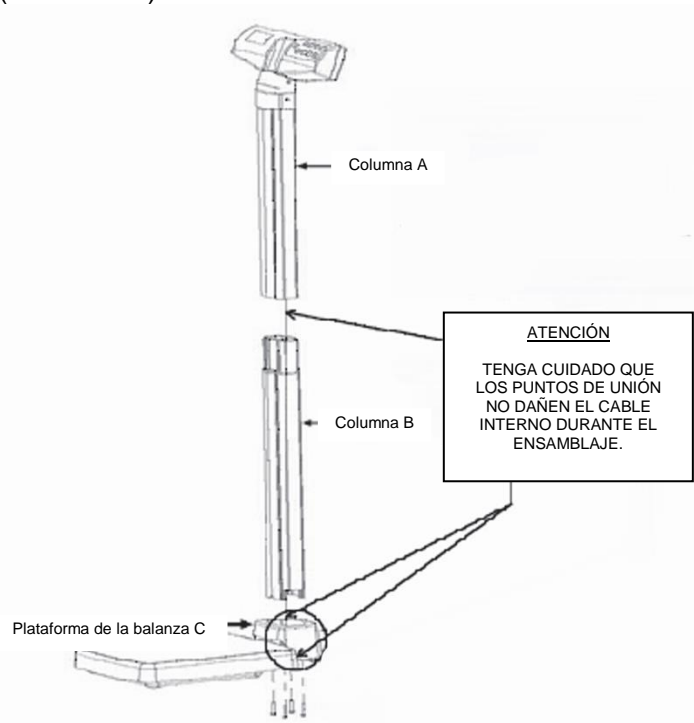
## Lista de partes

### Caja

- (1) Plataforma de la balanza (C)
- (1) Columna superior con montaje de la pantalla (Columna A)
- (1) Columna inferior (Columna B)
- (6) baterías AA
- (1) Instructivo

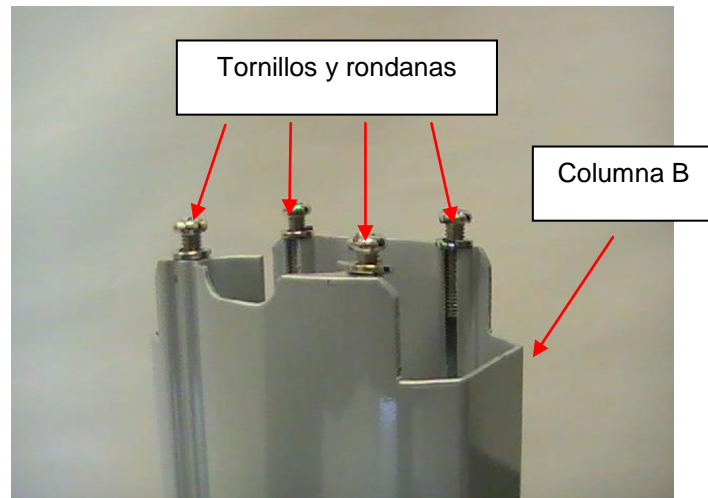
## Herramientas necesarias

Desarmador plano Phillips (no incluido)

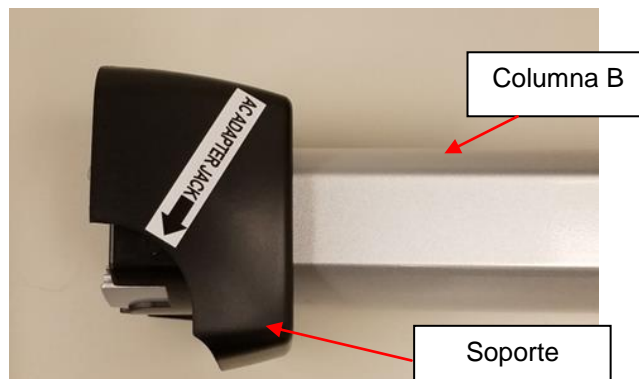


## INSTRUCCIONES DE ENSAMBLAJE DEL MODELO (CONTINUACIÓN)

1. Retire con cuidado el contenido del embalaje y coloque todas las piezas sobre una superficie plana, nivelada y seca. Retire los 4 tornillos de montaje de la columna, las rondanas de la parte inferior de la columna B y colóquelas a un lado para proceder a ensamblar de acuerdo al paso 7.

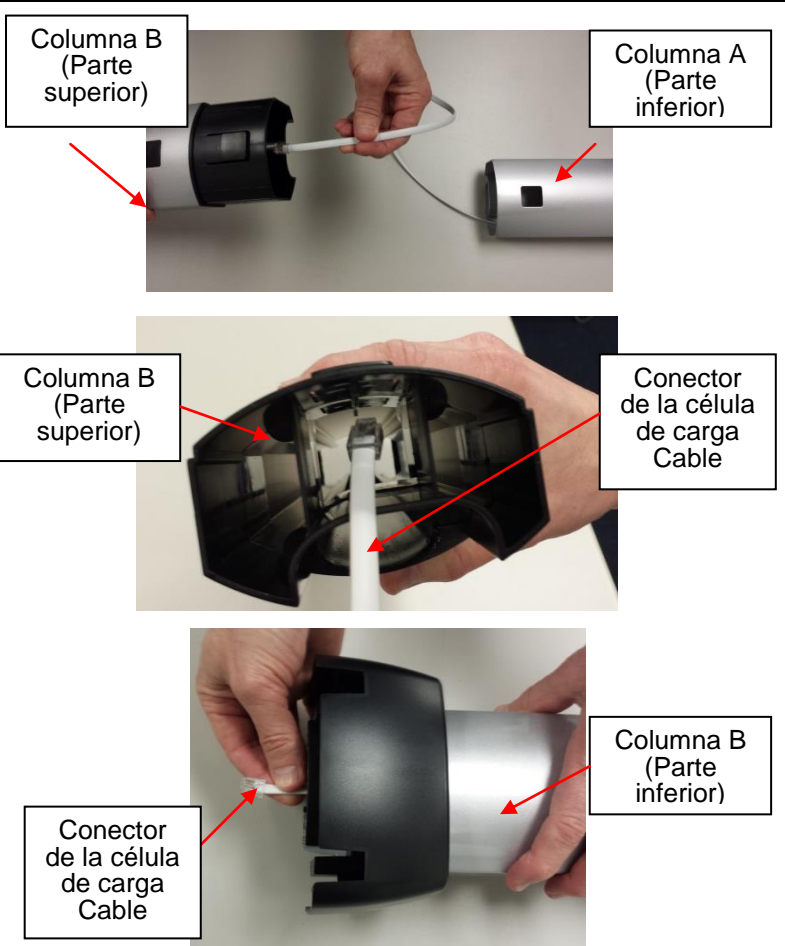


2. Retire el soporte color negro de la plataforma de la balanza C. Lea la etiqueta con el título "Atención" y después despéguela del soporte. Coloque el soporte en la parte inferior de la columna B con la flecha de la etiqueta del puerto del adaptador apuntando hacia la parte inferior de la columna.

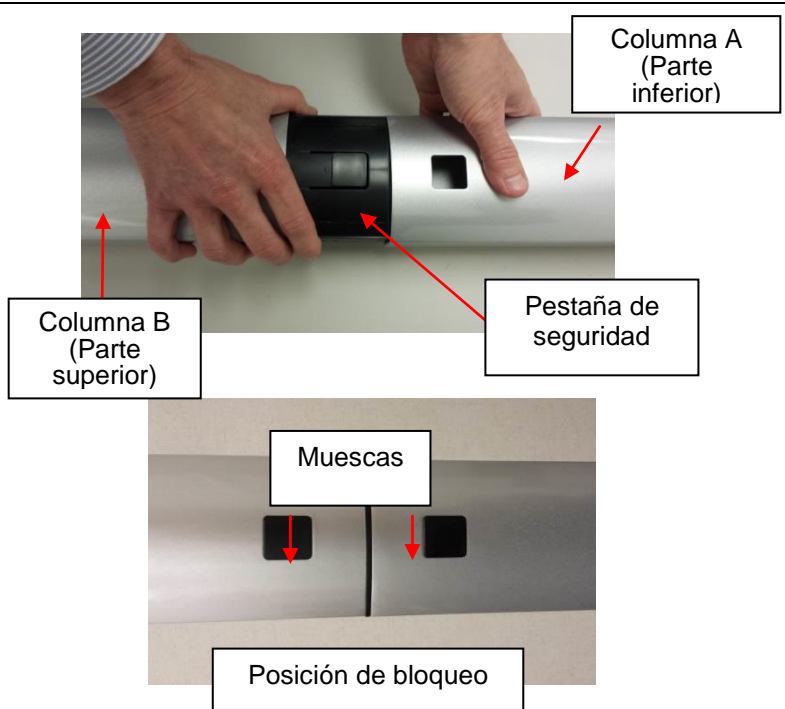


# INSTRUCCIONES DE ENSAMBLAJE DEL MODELO (CONTINUACIÓN)

3. Localice el cable de la celda de carga dentro de la columna A. Mientras sostiene la columna B, deslice el cable por la apertura central de la parte superior de la columna B. Empuje el cable a través de toda la columna B hasta que el conector llegue hasta la parte inferior de la columna.

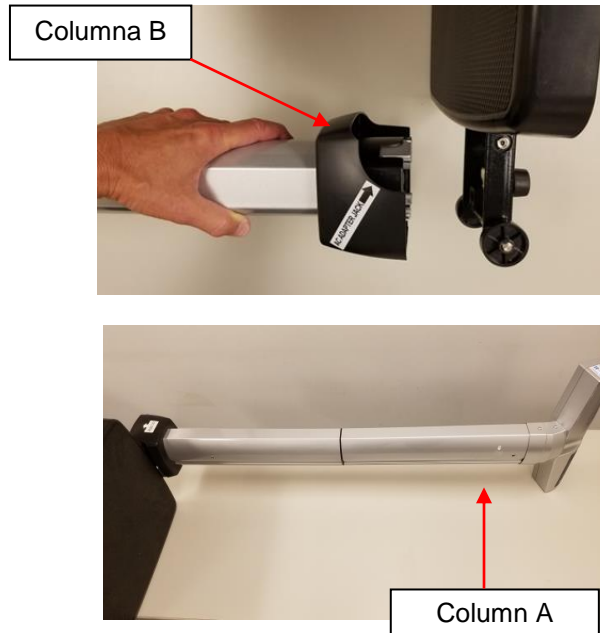


4. Alinee la columna A con la columna B. Las muescas se localizan en la parte inferior de la columna A y en la parte superior de la columna B. Ensámblelas hasta escuchar un chasquido que indica que están en su lugar. Asegure que la pestaña de seguridad se encuentre correctamente en su lugar. **Nota: Al alinear y ajustar las columnas, tenga cuidado de no aplastar el cable conector de la célula de carga.**

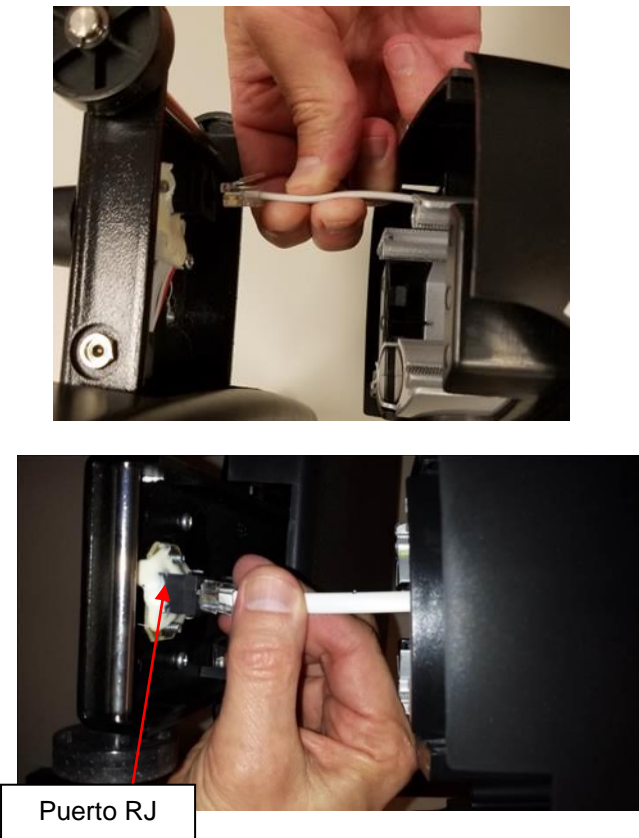


## INSTRUCCIONES DE ENSAMBLAJE DEL MODELO (CONTINUACIÓN)

5. Coloque la plataforma C sobre uno de sus lados y coloque la columna B en uno de sus lados en posición perpendicular a la plataforma. La parte frontal del módulo de la pantalla que se encuentra en la columna A debe encarar el frente y estar sobre la plataforma C.



6. Jale el cable conector desde la parte inferior de la columna B y conéctelo en el conector RJ de la plataforma C. **Atención: Después de conectarse, apriete con firmeza las columnas para asegurar que el cable conector de la célula de carga no se desconecte del conector RJ.** Este cable conecta las células de carga al módulo de la pantalla y debe de conectarse con firmeza para que la balanza funcione correctamente.



## INSTRUCCIONES DE ENSAMBLAJE DEL MODELO (CONTINUACIÓN)

7. Coloque y asegure el ensamblaje de las columnas A y B a la plataforma C. Localice los 4 tornillos de montaje de la columna que retiro con anterioridad en el paso 2. Verifique que las rondanas estén colocadas entre las cabezas de los tornillos y los agujeros de la plataforma C. Inserte los 4 tornillos a través de los agujeros de la parte inferior de la plataforma C y dentro de la columna B. Utilice un destornillador de cruz, ajuste los tornillos para asegurar la columna B a la base de la plataforma C.





# ALIMENTANDO LA BALANZA

## Encender la balanza - Insertar baterías

1. Con un desarmador plano Phillips retire el tornillo de la tapa del compartimento de la batería y retire la tapa de la parte posterior del montaje de la pantalla presionando la pestaña de seguridad.



2. Reemplace o instale las baterías con baterías nuevas. Health o meter® Professional recomienda utilizar baterías de litio o alcalinas, ideales para operar a 130°F (54°C). No utilice baterías de zinc-carbón.

3. Vuelva a colocar la tapa de las baterías en su posición original.

4. Asegúrese de retirar todos los objetos de la balanza y después presione el botón **ON/OFF** para encender la balanza. La pantalla mostrará "Start" (Inicio), después "0.0" LB o "0.0" KG. Presione el botón **LB/KG** para seleccionar el modo de peso (sólo 499KL).

**Nota:** El icono de la batería que se encuentra en la pantalla no indica la energía restante de las baterías. Este icono aparece cuando la balanza utiliza baterías como fuente de energía.

**Nota:** Consulte las instrucciones de solución de problemas si falló el procedimiento de configuración. Si el problema no se soluciona, póngase en contacto con el servicio de atención al cliente de Health o meter Professional Scales al Health o meter Professional Scales.

**Nota:** Si la pantalla muestra el mensaje "Lo", esto indica que la energía de las baterías es baja. Este mensaje no indica que exista un problema con el pesaje.

**Atención:** Si la balanza no se utiliza por algún tiempo, retire las baterías para prevenir un riesgo de seguridad. Debe desechar las baterías de acuerdo con las normas nacionales, regionales o locales que estén en vigor en su país.

## Adaptador de corriente eléctrica opcional

1. Conecte el adaptador de corriente (no incluido) en el puerto que se encuentra en la plataforma de la balanza.

**Atención:** Para evitar un riesgo de seguridad, utilice el adaptador de corriente Health o meter® Professional



2. Conecte el adaptador de corriente eléctrica dentro de la toma de corriente.

3. Cuando el adaptador de corriente eléctrica se desconecta de la balanza, esta utilizará la energía de las baterías instaladas.

**Precaución:** Siempre conecte el adaptador de CA en la escala primero, y luego a la toma de la fuente de alimentación / pared.

# INSTRUCCIONES DE CONFIGURACION

## Función de apagado automático

Como una función para ahorrar energía, la balanza se apagará automáticamente después de 2 minutos de inactividad. Esta función está activa por defecto.

## Desactivar el apagado automático

1. Mientras que la balanza esté apagada, mantenga presionado el botón **HOLD/RELEASE**.
2. Mientras presiona el botón **HOLD/RELEASE**, presione el botón **ON/OFF** para encender la balanza.
3. Por unos instantes aparecerá START en la pantalla seguido de "AOF=0".
4. La función de apagado automático se ha desactivado y la balanza permanecerá encendida hasta que se apague de forma manual.

## Activar el apagado automático.

1. Mientras que la balanza esté apagada, mantenga presionado el botón **HOLD/RELEASE**.
2. Mientras presiona el botón **HOLD/RELEASE**, presione el botón **ON/OFF** para encender la balanza.
3. Por unos instantes aparecerá START en la pantalla seguido de "AOF=1".
4. La función de apagado automático se activó.

## Para cambiar el modo de peso LB a KG/KG a LB (sólo 499KL)

**Nota:** LB (libras ) de peso es la unidad de medida por defecto al set-up / montaje inicial.

1. Presione el botón **ON/OFF** para encender la balanza.
2. Espere hasta que en la pantalla aparezca "0.0" LB o "0.0" KG.
3. Presione el botón **LB / KG** para elegir entre LB o KG.  
**Nota:** La balanza siempre usará la unidad utilizada por última vez, incluso después de que se haya apagado y encendido nuevamente. Para bloquear la balanza en una unidad de medición de peso, siga las instrucciones a continuación.

## Bloquear kilogramos y libras (sólo 499KL)

**Nota:** El modo de peso por defecto para la balanza puede cambiar de lb/kg a utilizar solo kilogramos o libras.

## Instrucciones KG Lock (sólo 499KL)

1. Pulse el botón **ON / OFF** para encender la balanza. Espere a "0.0" para que aparezca en la pantalla.
2. Mantenga pulsado el botón **LB / KG** para que se muestra el ícono de KG y continuar manteniendo pulsado el botón **LB / KG** durante aproximadamente 10 segundos.
3. Cuando muestra el ícono de KG parpadea, suelte el botón **LB / KG**. La unidad de medición de peso KG está bloqueado y permanece bloqueado incluso si la balanza se apaga.

## Instrucciones LB Lock (sólo 499KL)

**Nota:** Para bloquear en el modo de peso LB, debe seguir las instrucciones de arriba para bloquear en modo kilogramos de peso en primer lugar.

1. Una vez que la balanza está bloqueado en el modo KG, pulse y mantenga pulsado el botón **LB / KG** durante aproximadamente 10 segundos hasta que la unidad de muestro el ícono de LB parpadea.
2. Cuando la unidad de muestro el ícono LB parpadea, suelte el botón **LB / KG**. La unidad de medición de peso LB está bloqueado y permanece bloqueado incluso si la balanza se apaga.

## Desactivación de LB / KG Bloqueo (sólo 499KL)

**Nota:** Si su balanza está bloqueada en modo KG, primero debe seguir las instrucciones anteriores para bloquear en modo de LB, y luego comenzar las instrucciones de abajo incapacitantes.

1. Pulse el botón **ON / OFF** para encender la balanza. Espere a "0.0" para que aparezca en la pantalla.
2. Mantenga presionado el botón **LB / KG** hasta que los iconos LB y KG destellen en la pantalla. Cuando los iconos LB y KG parpadean, suelte el botón **LB / KG**. La unidad de medición de peso está desbloqueado y presionando el botón **LB / KG** permitirá al usuario cambiar entre LB y KG.

# INSTRUCCIONES DE OPERACIÓN

## Teclado



(Nota: no hay un botón LB / KG en los 499KG)

<b>Función</b>	<b>Descripción</b>
<b>ON/OFF (Encender/Apagar)</b>	Enciende y apaga la balanza.
<b>ZERO (Cero)</b>	Programa la balanza en ceros antes de utilizarla.
<b>HOLD/RELEASE (Mantener/Borrar)</b>	Mantiene en la pantalla el peso del paciente hasta volver a presionar el botón para borrar el valor.
<b>BMI (Índice de Masa Corporal)</b>	Muestra la pantalla para ingresar la altura y calcular el índice de masa corporal (IMC) del paciente.
<b>LB/KG</b>	Alterna entre libras (LB) y kilogramos (KG). (sólo 499KL)
<b>CLEAR (BORRAR)</b>	Borra el peso incorrecto registrado cuando se utiliza en modo IMM.
<b>UP ▲ (ARRIBA)</b>	Incrementa la altura (incremento de 0.5 pulgadas / 0.5 centímetros)
<b>DOWN ▼ (ABAJO)</b>	Disminuye la altura (disminución de 0.5 pulgadas / 0.5 centímetros)
<b>ENTER (Ingresar)</b>	Se utiliza para aceptar el valor de la estatura en el modo IMC.

# INSTRUCCIONES DE OPERACIÓN (CONTINUACIÓN)

## Pesar un paciente

**Nota:** Cuando la balanza está encendida, siempre aparecerá la última configuración de unidad de medida (Libras o Kilogramos).

1. Asegúrese que ningún objeto se encuentre sobre la plataforma. Presione el botón **ON/OFF** para encender el la pantalla.
2. "StArt" aparecerá brevemente en la pantalla , seguido de" 0.0 " LB o" 0.0 " KG .



3. Asistir al paciente a la balanza. La balanza comenzará a mostrar información de peso. Cuando se determina un peso estable, aparecerá "LOCK" junto con el peso del paciente. Según el movimiento del paciente en la balanza, la balanza puede tardar varios segundos en fijarse en el peso.

**Atención: Para evitar que el paciente se lesione, este debe recibir asistencia durante el proceso de pesaje.**

4. Puede bloquear el peso en la pantalla presionando el botón **HOLD/RELEASE**. Para borrar, presione de nuevo el botón **HOLD/RELEASE**. **Nota:** La balanza no se apagará automáticamente si se mantiene un peso en la pantalla.
5. Después de calcular y grabar el peso, pida al paciente que descienda de la balanza.
6. Presione el botón **ON/OFF** para apagar la balanza.

## Función Zero

Programa la balanza en ceros antes de utilizarla. El botón **Zero** también se utiliza para la función de tara como se menciona a continuación.

## Función de tara

Cuando utilice esta balanza, el peso de un objeto, como un tanque de oxígeno portátil, puede sustraerse del valor total para determinar el peso real del paciente.

1. Asegúrese que ningún objeto se encuentre sobre la plataforma. Presione el botón **ON/OFF** para encender el la pantalla.
2. "StArt" aparecerá brevemente en la pantalla, seguido de" 0.0 " LB o" 0.0 " KG .
3. Coloque el objeto sobre la balanza. La pantalla mostrará el peso del objeto. El peso mínimo que se puede tarar es de 5 lb / 2.27 kg. **Nota:** La balanza debe bloquearse en un peso antes de que pueda tararse.
4. Presione el botón **ZERO**. La palabra "TARE" aparecerá en la pantalla, seguido de "0.0" LB o "0.0" KG.
5. Con el objeto sobre la plataforma de la balanza, solicite al paciente que también suba a la plataforma. La balanza restará de forma automática el peso del objeto y solo mostrará el peso del paciente.
6. Cuando retire el objeto de la plataforma, en la pantalla aparecerá "under" por unos instantes y después mostrará nuevamente "0.0" LB o "0.0" KG.

## INSTRUCCIONES DE OPERACIÓN (CONTINUACIÓN)

### **Función BMI (Índice de Masa Corporal)**

El índice de masa corporal (IMC) es una relación entre el peso y la altura del paciente que se interpreta como índice de masa corporal. El IMC se utiliza como herramienta para categorizar al paciente dentro de un peso insuficiente, normal, sobrepeso, obesidad u obesidad mórbida.

**Nota:** La balanza no calculará el IMC para un paciente que pese 24 libras (12 kg) o menos. Si no ingresa la altura del paciente dentro de los primeros 30 segundos después de haber presionado el botón **BMI**, la balanza regresará a su funcionamiento normal.

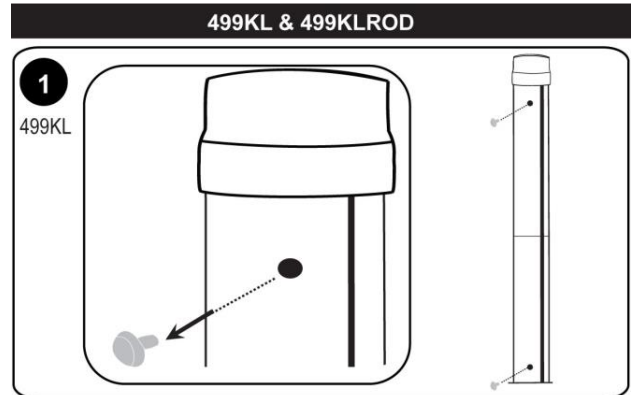
1. Asegúrese que ningún objeto se encuentre sobre la plataforma. Presione el botón **ON/OFF** para encender el la pantalla.
2. "StArt" aparecerá brevemente en la pantalla, seguido de" 0.0 " LB o" 0.0 " KG.
3. Asistir al paciente a la balanza. La balanza comenzará a mostrar información de peso. Cuando se determina un peso estable, aparecerá "LOCK" junto con el peso del paciente. Según el movimiento del paciente en la balanza, la balanza puede tardar varios segundos en fijarse en el peso.
4. Después de obtener el peso del paciente y de que el paciente permanezca en la balanza, presione el botón IMC.
5. La pantalla mostrará 65.0" (en modo de libras) o 150.0 cm (en modo de kilogramos). Utilice los botones ▲ y ▼ para ingresar la estatura del paciente en pulgadas si pesa en LB o centímetros si pesa en KG.
6. Una vez que ingrese la altura, presione el botón **ENTER**.
7. La pantalla mostrará el índice de masa corporal del paciente.
8. Presione el botón **CLEAR** para regresar al modo de pesaje.

# INSTRUCCIONES DE ENSAMBLAJE PARA 499KLROD OPCIONAL

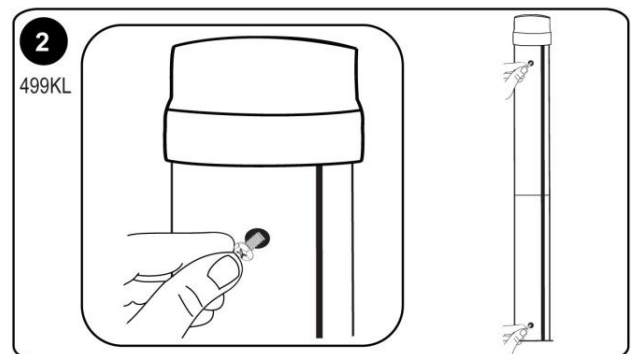
**Nota:** Estas instrucciones son para instalar el tallimetro opcional (499KLROD) a la balanza 499KL / 499KG. El tallimetro (499KLROD) no está incluido en la balanza y debe adquirirse por separado.

## **Montaje del 499KLROD**

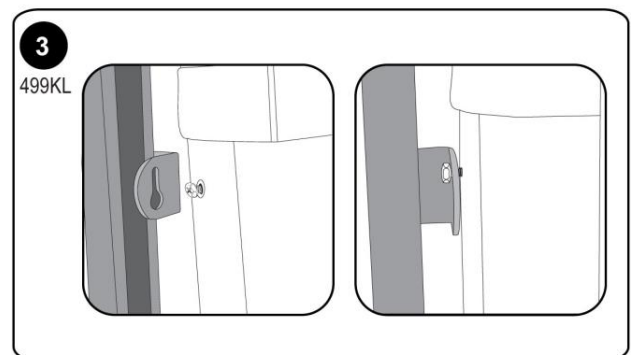
1. Retire las 2 cubiertas plásticas para los tornillos en la columna de la balanza.



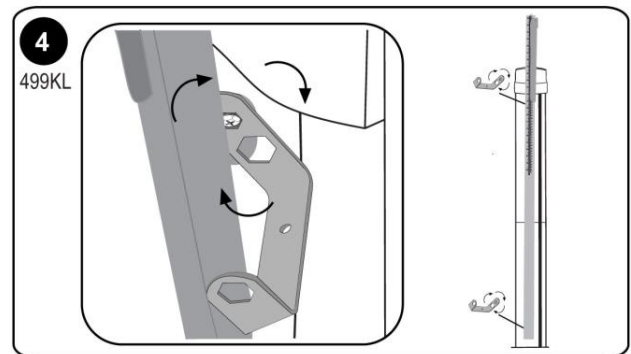
2. Inserte los tornillos en los agujeros de la columna.



3. Coloque las ranuras de cerradura grandes sobre cada cabeza de los tornillos. Al colocarlos de forma correcta sobre ambos tornillos, deslice el 499KLROD completamente hacia abajo para ajustar las ranuras de cerradura.



4. Ajuste los tornillos con la llave incluida con la balanza (esta llave está incluida con el 499KLROD). También, puede utilizar una llave de boca fija para ajustar los tornillos.



# INSTRUCCIONES PARA LA MEDICIÓN DE LA ALTURA

**Nota:** Estas instrucciones son para medir la altura usando la barra de altura opcional. Una varilla de altura no está incluida en la escala 499KL/499KG y se puede comprar por separado como artículo # 499KLROD.

**ADVERTENCIAS:** Tenga cuidado al deslizar la barra de altura hacia arriba y hacia abajo. La barra debe moverse suavemente. Pliegue el casco cuando no esté en uso.

**Nota:** Un paciente necesita un mínimo de 23-5/8" (600mm) de altura para que esta pueda calcularse con exactitud.

1. Con el casco en posición plegada, deslice el casco hacia arriba o hacia abajo hasta la altura estimada del paciente. Luego levante el casco en su posición horizontal.

Para bajar la varilla de altura por debajo de 46 3/8 ", presione la lengüeta en la parte superior de la varilla de altura y baje suavemente la pieza de sujeción.

**DOBLE EL CASCO HACIA ABAJO ANTES DE EXTENDER LA BARRA DE ALTURA**



Empuje la lengüeta hacia adentro para bajar la varilla de altura debajo de 46 3/8 "

2. Asegúrese de que la postura del paciente esté en posición vertical y de que la cabeza del paciente esté recta y nivelada. Deslice el casco hacia abajo hasta que descansa sobre la cabeza del paciente.

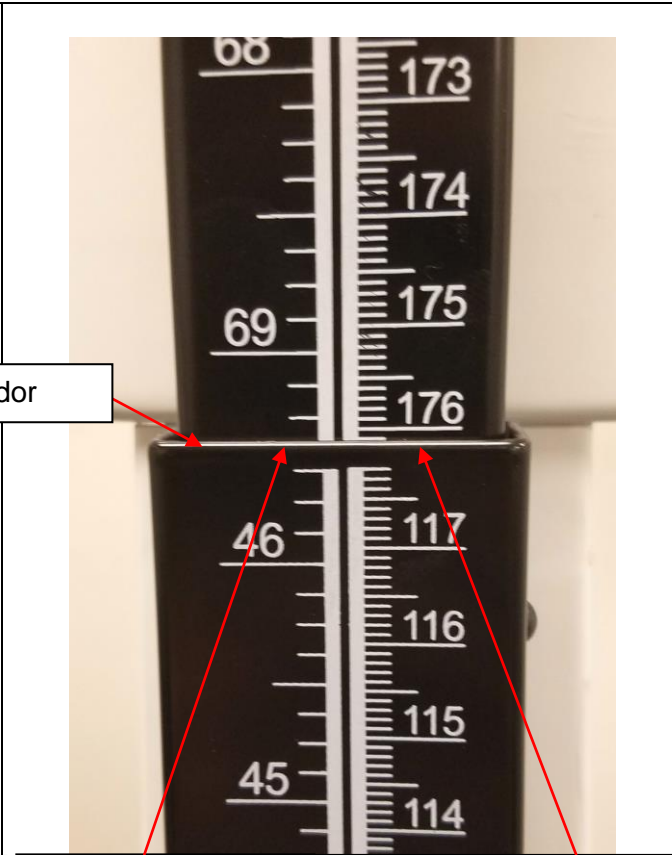
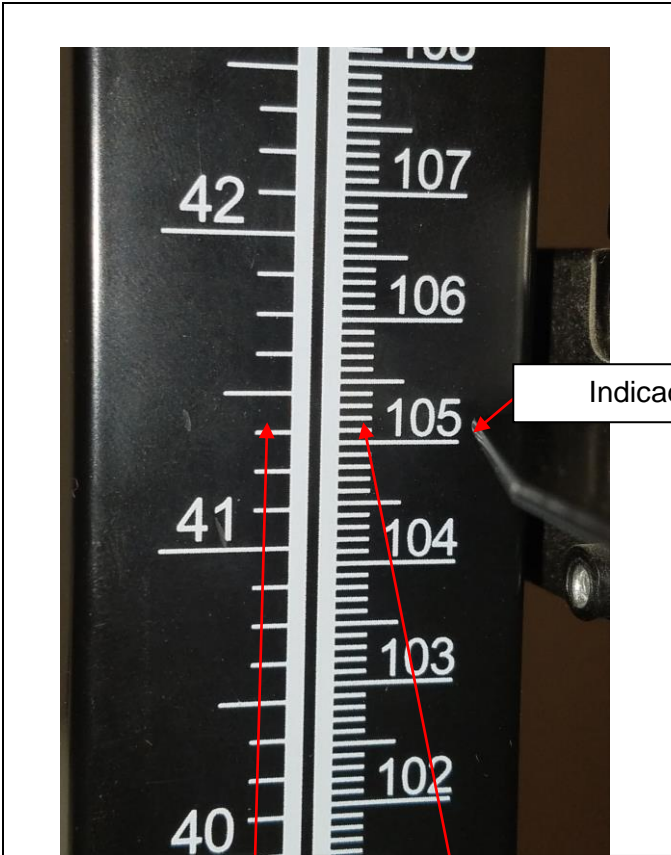


3. Determine la altura del paciente mediante la lectura del valor que se encuentre en la cinta de medición cercana a la línea en el indicador. (Ver la página siguiente)

# INSTRUCCIONES PARA LA MEDICIÓN DE LA ALTURA

Estadímetro menor a 46 3/8"

Estadímetro extendido mayor a 46 3/8"

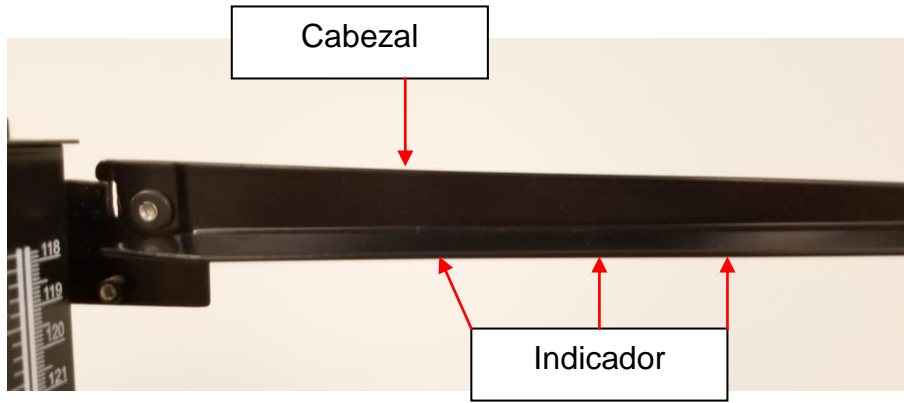


Lectura en pulgadas:  
41" + 3/8" = 41 3/8"

Lectura en centímetros: 105  
cm + 0.2 cm = 105.2 cm

Lectura en pulgadas:  
69" + 3/8" = 69 3/8"

Lectura en centímetros: 176  
cm + 0.2 cm = 176.2 cm





# CALIBRACIÓN

**La balanza se calibró desde fábrica y no necesita calibrarse antes de utilizarse.** De ser necesario, la balanza puede calibrarse. La calibración de la balanza se efectúa utilizando kilogramos (KG) o libras (LB) de acuerdo con las unidades de medida utilizadas al momento de ingresar el procedimiento de calibración. Cuando se calibra en libras, se requiere un total de 500 lb (o 300 lb para los modelos más nuevos), aplicado en incrementos de 100 lb, 200 lb, 300 lb y 500 lb. Si se calibra en kilogramos, se requieren un total de 200 kg (o 120 kg para los modelos nuevos), aplicado en incrementos de 40 kg, 80 kg, 120 kg y 200 kg. **EL 499KG SÓLO PUEDE SER CALIBRADO EN KILOGRAMAS.**

**Nota: Sólo los pesos certificados y trazables a patrones nacionales se van a utilizar para los procedimientos de calibración.**

**Para balanzas con códigos de fecha superiores a 2517, solo se requieren 300 lb (120 kg) de pesos para la calibración. Consulte la etiqueta blanca en la parte posterior del cabezal de la pantalla para determinar el código de fecha de su balanza.**

**Ejemplo: Código de fecha 4217, el procedimiento de calibración se completa después de 300 lb (120 kg).**

ACCIÓN	MENSAJE EN PANTALLA
Con la báscula apagada, presione y mantenga presionado el botón <b>LB / KG</b> (499KL) o el botón azul en blanco (499KG) y el botón <b>ZERO</b> al mismo tiempo, luego presione el botón <b>ON / OFF</b> para encender la báscula. Suelte los tres botones cuando aparezca "CAL" en la pantalla. Aparecerán números que indican que puede comenzar la calibración.	"CAL" seguido de números
Cuando los números de calibración se estabilizan, presione el botón <b>ZERO</b> . En la pantalla parpadeará "C-100" (para LB) o "C-40" (para KG) seguido de "0" o "1".	Números seguido de "C-100" (para LB) o "C-40" (para KG) después "0" o "1".
Coloque 100 libras o 40 kilogramos sobre la balanza. Aparecerán números en la pantalla. Cuando se estabilicen los números de calibración, presione el botón <b>ZERO</b> . En la pantalla parpadeará "C-200" (para LB) o "C-80" (para KG) seguido de "0" o "1".	Números seguido de "C-200" (para LB) o "C-80" (para KG) después "0" o "1".
Coloque 100 lb o 40 kg adicionales en la balanza, para un total de 200 lb u 80 kg. Aparecerán números en la pantalla. Cuando se estabilicen los números de calibración, presione el botón <b>ZERO</b> . En la pantalla aparecerá "C-300" (para LB) o "C-120" (para KG) seguido de "0" o "1".	Números seguido de "C-300" (para LB) o "C-120" (para KG) después "0" o "1".
Coloque 100 lb o 40 kg adicionales en la balanza, para un total de 300 lbs o 120 kg. Aparecerán números en la pantalla. Cuando se estabilicen los números de calibración, presione el botón <b>ZERO</b> . <i>* Para los modelos con códigos de fecha superiores a 2517, el procedimiento de calibración se ha completado y aparecerá "END" en la pantalla.</i> Para modelos con códigos de fecha inferiores a 2517, En la pantalla aparecerá "C-500" (para LB) o "C-200" (para KG) seguido de "0" o "1".	Números seguido de "C-500" (para LB) o "C-200" (para KG) después "0" o "1". (o "END" para modelos con códigos de fecha superiores a 2517)
Coloque 200 lb u 80 kg adicionales en la balanza, para un total de 500 lb o 200 kg. Aparecerán números en la pantalla. Cuando se estabilicen los números de calibración, presione el botón <b>ZERO</b> . En la pantalla aparecerá "END", seguido de "OFF". La balanza se apagará automáticamente.	Números seguido de "END", después "OFF"

# SOLUCIÓN DE PROBLEMAS

## Solución de Problemas

Antes de solicitar asistencia técnica, consulte las siguientes instrucciones para revisar y corregir cualquier falla.

Problema	Posible causa	Acción correctiva
La balanza no enciende	1. Batería descargada 2. Enchufe eléctrico defectuoso 3. No hay corriente eléctrica	1. Reemplace las baterías 2. Utilice otro enchufe 3. Reemplace el adaptador de corriente eléctrica
Peso cuestionable o la balanza no realiza la sustracción	1. Un objeto externo interfiere con la balanza  2. La pantalla no muestra "0.0" antes del pesaje.  3. La balanza no se encuentra sobre una superficie nivelada 4. La balanza no está calibrada	1. Retire el objeto que interfiere con la balanza.  2. Solicite que el paciente descienda de la balanza, restablezca en ceros la balanza y comience de nuevo el procedimiento 3. Coloque la balanza en una superficie nivelada y comience de nuevo el procedimiento 4. Compare el peso con el valor conocido
Se realiza el pesaje pero el cálculo toma demasiado tiempo y el peso no se bloquea en la pantalla.	El paciente se mueve mucho	Solicite al paciente que permanezca quieto
La pantalla muestra el mensaje "Over"	La carga sobre la balanza excede la capacidad (500 lb / 220 kg)	Retire el peso excesivo y utilice la balanza de acuerdo a estos límites
La pantalla muestra el mensaje "Lo"	Las baterías no tienen energía	Reemplace las baterías de acuerdo con las instrucciones
La balanza se enciende pero no registra lectura del peso	El cable conector de la célula de carga no está conectado	Consulte las instrucciones a continuación para inspeccionar el cable de la celda de carga.

## Inspección del cable de la celda de carga

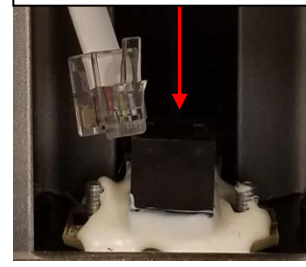


1. Con un destornillador Phillips, retire la puerta en la parte posterior de la base de la plataforma. (\*Los modelos antiguos pueden no incluir esta característica. Para inspeccionar el cable de la celda de carga, siga las instrucciones de ensamblaje para desconectar la plataforma de la columna.)

Cable de celda de carga conectado



Cable de celda de carga no conectado



2. Inspeccione el cable del conector de la celda de carga para asegurarse de que esté completamente enchufado en la toma RJ. Si el cable estaba enchufado, desenchúfelo y vuelva a enchufarlo hasta que encaje en su lugar. Después de verificar la conexión, vuelva a colocar la puerta en la parte posterior de la base de la plataforma o vuelva a ensamblar la plataforma y la columna.

# MANTENIMIENTO

## **Mantenimiento**

Las siguientes páginas le mostrarán instrucciones para dar mantenimiento, limpiar, calibrar y solucionar problemas de la balanza 499KL/499KG. Las operaciones de mantenimiento que no aparezcan en este manual deberán realizarse por personal capacitado.

**Atención:** Antes de utilizarse por primera vez, o después de largos periodos sin utilizarla, asegúrese que la balanza funciona correctamente. Si la balanza no funciona de forma correcta, pida la asistencia de personal capacitado.

1. Revise la apariencia general de toda la balanza para encontrar daños, raspaduras o roturas.
2. Verifique que el cable del adaptador de corriente eléctrica no esté roto o raspado y si las puntas no están dañadas o dobladas.

**Nota:** La balanza es un dispositivo de pesaje de extrema sensibilidad. Los artículos como ropa o toallas que coloque o deje caer sobre la balanza pueden ocasionar que la unidad se active. Para prevenir que las baterías se agoten, no almacene o deje objetos sobre la balanza.

## **Limpieza**

Es primordial limpiar y cuidar adecuadamente la balanza para asegurar un periodo de vida de funcionamiento exacto y efectivo.

**Atención:** Desconecte la balanza de cualquier enchufe eléctrico antes de limpiar la unidad.

1. Limpie las partes externas con un paño limpio y húmedo. Puede utilizar una mezcla de agua con jabón anti-microbiano o anti-bacterial. Seque con una tela limpia y suave.
2. No sumerja la balanza en líquidos de limpieza u otras soluciones líquidas.
3. No utilice alcohol isopropílico u otros líquidos para limpiar la superficie de la pantalla.
4. No utilice limpiadores abrasivos.

## **Partes de reemplazo**

Las piezas pueden estar disponibles si una pieza de la balanza necesita ser reemplazada. Póngase en contacto con el servicio de atención al cliente de Health o meter Professional Scales al 1-800-815-6615 para preguntar si existen partes de reemplazo disponibles.

<b>Código de parte</b>	<b>Descripción</b>
500KLKEYPAD	Cobertura del teclado
80-00682	Cobertura del teclado (499KG)
499KLROD	Estadímetro
500KLWHEELS	Conjunto de 2 ruedas
500KLFOOT	Pie para la base
500KLMAT	Estera de reemplazo para la plataforma
BATTDOR500	Puerta del compartimiento de la batería
500KLPILLARFOOT	Pie de pilar
ADPT31	Adaptador de corriente

# GARANTÍA

## **Garantía Limitada**

### **¿Qué cubre la garantía?**

Las balanzas Health o meter® Professional tienen garantía desde la fecha de compra contra defecto de material o fabricación por un periodo de dos (2) años. Si el producto no funciona correctamente, devuélvalo, con los gastos de envío pagados y embalado correctamente a Pelstar, LLC (consulte "Obtener servicio de garantía" a continuación para mayor información). Si el fabricante determina que existe un defecto de fabricación en el material, la única solución será reemplazar la balanza sin cargo alguno. El reemplazo se realizará con un producto o componente nuevo o reconstruido. Si el producto ya no está disponible, el reemplazo puede realizarse con un producto similar de igual valor o mayor. Todas las partes reemplazadas tienen cobertura solo durante el periodo original de la garantía.

### **¿Qué alcance tiene la cobertura?**

El comprador original del producto debe comprobar la compra para recibir el servicio de garantía. Guarde la factura o recibo. Los distribuidores o minoristas de productos Pelstar no tienen el derecho de alterar, modificar o en cualquier modo cambiar los términos y condiciones de esta garantía.

### **¿Qué excluye la garantía?**

**La garantía no cubre el desgaste normal de los componentes o daños resultantes de:** uso negligente o mal uso del producto, uso de voltaje o corriente inadecuados, uso diferente a las instrucciones de operación, abuso o modificación, daños durante el transporte, o reparaciones o alteraciones no autorizadas. Además, la garantía no cubre desastres naturales, como fuego, inundaciones, huracanes y tornados. La garantía le brinda derechos jurídicos específicos y también puede tener otros derechos que varían dependiendo del país, estado, municipio o jurisdicción.

**Para hacer válida la garantía, asegúrese de tener la factura de compra o algún documento que compruebe la compra.** Llame al (+1) 800-638-3722 o (+1) 708-377-0600 para recibir un número de autorización de devolución (RA, por sus siglas en inglés), que deberá incluirse en la etiqueta de devolución. Adjunte el comprobante de compra en el producto defectuoso junto con su nombre, domicilio, teléfono de contacto y descripción del problema. Empaque con cuidado el producto y envíelo con seguro y gastos de envío pagados a:

Pelstar, LLC

Attention R/A# \_\_\_\_\_

Return Department

9500 West 55<sup>th</sup> Street

McCook, IL 60525

### **Garantía extendida disponible\***

Esta escala es elegible para el Programa de Garantía Extendida de ScaleSurance® Professional de Health o meter®. ScaleSurance® extiende el período de garantía por dos años adicionales. Esta extensión de la Garantía limitada estándar se puede adquirir con nuevas balanzas o para la escala existente de una instalación antes de que expire su garantía actual. Para obtener más información, visite [www.homscales.com/scalesurance/](http://www.homscales.com/scalesurance/) o comuníquese con su distribuidor de suministros médicos.

\*No disponible en todos los países



**PELSTAR, LLC**

**9500 West 55th St. McCook, IL 60525-7110 USA**

**1-800-638-3722 or 1-708-377-0600**

PARA QUE LA GARANTÍA SEA VÁLIDA, REGISTRE LA BALANZA EN:

[www.homscales.com](http://www.homscales.com)

Health o meter® es una marca registrada de Sunbeam Products, Inc. con licencia de uso.

Pelstar, LLC., fabrica, diseña, y es dueño de los productos Health o meter® Professional.

Nos reservamos el derecho de mejorar o modificar las características o especificaciones de los productos Health o meter® Professional sin previo aviso.

© Pelstar, LLC 2019

P/N UM499KL 499KG Rev 20190430\_Web





**Health o meter**<sup>®</sup>  
P r o f e s s i o n a l

**499KL / 499KG**  
**Balance à fléau à hauteur de la taille**  
**numérique**



**ISO13485:2016**  
**CERTIFIED**



E112697  
UL 60601-1  
CSA C22.2 No. 601.1-M90

## Instructions de l'Utilisateur



PELSTAR, LLC 9500 West 55th St. McCook, IL 60525-7110 USA [www.homscales.com](http://www.homscales.com)

Health o meter<sup>®</sup> Professional 499KL  
Health o meter<sup>®</sup> Professional 499KG

© Pelstar, LLC 2019

Merci d'avoir acheté ce produit Health o meter® Professional. Veuillez lire ce manuel attentivement, et le garder comme référence ou comme formation.

## TABLE DES MATIÈRES

Précaution et Avertissement .....	3
Spécifications .....	4
Certifications / Connectivité / Disposition .....	5
Instructions d'Assemblage Balance .....	6
Alimentation de la Balance .....	11
Instructions De Montage .....	12
Instructions D'utilisation.....	12
Instructions de Montage Pour Toise Optionnelle.....	16
Instructions Pour la Mesure de Hauteur.....	17
Calibration .....	19
Dépannage.....	20
Entretien.....	21
Garantie .....	22

**Note: Cette balance a été calibrée en usine, et n'a pas besoin d'être calibrée avant l'utilisation.**

Veuillez enregistrer votre balance pour la couverture de garantie au:  
[www.homscales.com/product-support/technical-support/product-warranty-registration](http://www.homscales.com/product-support/technical-support/product-warranty-registration)

Pour des mises à jour et révisions des instructions de l'utilisateur veuillez aller au:  
[www.homscales.com](http://www.homscales.com)



# PRÉCAUTION ET AVERTISSEMENT

## **UTILISATION PRÉVUE**

Cette balance professionnelle Health o meter® est destinée à être utilisée dans un environnement médical professionnel par un personnel médical formé. Ce produit a été conçu pour peser les patients qui sont positionnés en toute sécurité et debout sur la plate-forme. Ne modifiez pas le produit et ne l'utilisez pas à d'autres fins que celles pour lesquelles il a été conçu.

**Pour éviter les blessures ou les dommages causés par le patient / soignant à votre balance, veuillez suivre très attentivement les instructions contenues dans ce mode d'emploi.**

- Ne dépassez pas la capacité de poids spécifiée pour cette balance.
- Pour une pesée précise, cette balance doit être placée sur une surface plane et stable.
- Pour une pesée précise, vérifiez avant chaque utilisation le bon fonctionnement conformément à la procédure décrite dans ce manuel.
- Ne pas utiliser en présence de matériaux inflammables ou explosifs.
- Si la balance est endommagée, elle ne doit pas être utilisée avant d'avoir été correctement entretenue.
- Ne transportez pas la balance avec un patient ou un objet sur la balance.
- Ne pas faire rouler ou descendre la balance dans les escaliers, cela pourrait endommager les pièces internes.
- Assurez-vous que l'adaptateur secteur et la balance n'entrent pas en contact avec des liquides, une température excessive ou une humidité excessive.
- Soyez prudent lorsque vous assemblez la colonne d'équilibre afin de ne pas pincer le câble du connecteur de la cellule de charge.

## **Sécurité des patients / soignants**

- Cette balance est conçue pour le pesage statique des patients seulement. Aucune balance ne doit être utilisée pour le transfert du patient.
- Le patient doit porter des chaussettes ou une autre forme de revêtement de pied léger lors d'un événement de pesée.
- Pour prévenir les blessures chez le patient, le patient doit être assisté pendant tout l'événement de pesée. Les aidants naturels devraient s'assurer que le patient est stable et fournir un soutien au besoin lors de l'entrée et la sortie de la balance.

## **Lors de l'utilisation de cette balance avec l'adaptateur AC optionnel:**

- Utilisez exclusivement cette balance avec l'adaptateur AC fournis par Health o meter® Professional. L'utilisation d'un adaptateur non-indiqué annulera la garantie, et peut poser un sérieux risque de sécurité.
- Pour utilisation avec l'adaptateur AC ADPT31 (US et Canada) ou ADPT30 (International) (non-inclus).
- Avant l'utilisation de cette balance, inspectez le fil d'alimentation de l'adaptateur AC pour du craquement / effilochage ou pour des prises brisées / pliées.
- Avant l'utilisation de cette balance, assurez-vous que l'adaptateur AC est branché dans une prise d'alimentation avec un voltage approprié pour l'utilisation.
- Assurez-vous que l'adaptateur AC est branché à un disjoncteur de circuit ou autre source d'alimentation protégée.
- Assurez-vous que l'adaptateur AC et la balance n'entrent pas en contact avec des liquides, une température excessive ou une humidité excessive
- Débranchez l'adaptateur AC, et entreposez avec attention l'adaptateur et le fil de l'adaptateur avant de déplacer la balance.
- Si la balance est branchée à un autre appareil médical, l'adaptateur AC ne doit pas être utilisé. Débranchez l'adaptateur AC de la balance et utilisez seulement l'alimentation de la batterie. Ceci assure une isolation électrique adéquate.

## **Lorsque vous utilisez la balance avec des piles:**

- Si l'indicateur « Lo » est allumé, remplacez les batteries ou utilisez l'adaptateur AC aussitôt que possible.
- Lorsque vous remplacez / insérez des batteries, assurez-vous d'utiliser uniquement des nouvelles batteries.

Cet équipement a été testé et est conforme aux limites EMC pour les Directives d'Appareils Médicaux 93/42/EEC (EN 55011 Class A et EN 60601-1-2). Ces limites sont conçues pour fournir une protection raisonnable contre les interférences néfastes dans une installation médicale typique. L'équipement génère, utilise et peut radier de l'énergie de fréquences radio et, si pas installé et utilisé en conformité avec ces instructions, peut causer des interférences néfastes avec d'autres appareils de l'établissement. Cependant, il n'y a pas de garantie que des interférences ne surviendront pas dans une installation particulière. Si l'appareil cause des interférences néfastes avec d'autres appareils, ce qui peut être déterminé en allumant et éteignant l'équipement, nous encourageons l'utilisateur à essayer d'éliminer l'interférence avec une ou plusieurs des mesures suivantes:

- Réorienter ou ressituer l'appareil receveur.
- Accroître la séparation entre les équipements.
- Relier l'équipement dans une prise ou un circuit différent des autres appareils.
- Consultez le service à la clientèle ou un service de technicien sur le terrain pour de l'aide.

**En aucun cas, Pelstar, LLC ne sera responsable des dommages ou blessures résultant de ou liés à l'assemblage, à l'utilisation ou à la mauvaise utilisation de ses produits.**

# SPÉCIFICATIONS

## Général

La balance numérique de modèle 499KL / 499KG utilise une technologie de microprocesseur hautement sophistiquée. Chaque balance de précision est conçue pour fournir des mesures de poids précises, fiables et constantes. De plus, chaque balance est conçue pour fournir à l'utilisateur des fonctionnalités qui rendent la pesée simple, rapide, et pratique.

Sur le 499KL, le poids peut être affiché en livres (lb) ou en kilogrammes (kg). Sur le poids 499KG est affiché en kilogrammes seulement. **La balance peut être alimentée en utilisant un l'adaptateur AC (non-inclus) ou avec 6 batteries AA (inclus).**

## Caractéristiques Balance

Capacité et Résolution	499KL; 500 lb x 0.2 lb (220 kg x 0.1 kg) 499KG: 220 kg x 0.1 kg	
Exigences d'Alimentation	Adaptateur Model No UE15WCP1-090050SPA, Pièces No UE160714HKKK1-P (Non-inclus) Health o meter® Professional Model (ADPT30) (non-inclus) Entrée: 100-240V – 50/60Hz, 500mA Sortie: 9.0V - - - 0.5A ou 6 - batteries AA	
Températures:	Ambiantes d'utilisation: 50°F à 104°F (10°C à 40°C) Températures d'entreposage 30°F à 122°F (0°C à 50°C) Humidité Maximale: 95% RH	
Dimensions Physiques	<b>Balance (Dimensions Globales)</b> Largeur: 14 1/8" (359 mm) Profondeur: 21 1/8" (537 mm) Hauteur: 43 1/2" (1105 mm) Poids: 20 lb (9kg)	<b>Plateforme (Surface Debout)</b> Largeur: 13 3/4" (349 mm) Profondeur: 16 1/2" (419 mm) Hauteur: 2 3/8" (60 mm)

# DÉFINITION DES SYMBOLES



Attention, Consultez les Documents Joint



Plage de Température  
(10°C à 40°C / 50°F à 104°F)





Pièces Appliquées Type BF



Bloc d'Alimentation AC à DC

# CERTIFICATIONS / CONNECTIVITÉ / DISPOSITION

## Descriptions de Certification

	Pelstar, LLC a été officiellement certifié comme fabricant d'appareils médicaux Health o meter® Professional conformément aux exigences légales. Le système d'assurance de qualité Pelstar, LLC couvre le développement, production, vente et service de balances médicales et de systèmes de mesure.
	Ce produit est testé et répond aux exigences de: 1. UL60601-1 Première Édition: Sécurité pour Équipement Médical Électrique 2. CSA C22.2 No. -1-M90 Équipement Médical Électrique

## Information de Connectivité Balance

Pour une transmission fiable des données de poids, cette balance est conçue pour se connecter à un ordinateur, à un moniteur ou à un autre périphérique de données électronique via solutions de connectivité professionnelles Health o meter®. Cette connectivité permet de minimiser les erreurs de transcription lors de l'enregistrement des données patient. Pour plus d'informations sur la connexion de cette balance à d'autres appareils électroniques, veuillez contacter le support technique de Health o meter® Professional Scales au 800-638-3722 ou visitez [www.homscal.es.com/innovations/connectivity](http://www.homscal.es.com/innovations/connectivity).

## Disposition Balance



Cette balance Health o meter® Professional doit être jetée de façon appropriée, comme déchet électronique. Suivez les réglementations nationales, régionales ou locales s'appliquant à vous pour disposer de vos déchets électroniques ou batteries. Ne jetez pas cet appareil dans les ordures domestiques.

# INSTRUCTIONS D'ASSEMBLAGE

## Avant Assemblage

Chaque balance numérique à faisceau au niveau des yeux 499KL / 499KG est livrée dans une seule boîte. Inspectez attentivement l'extérieur de la boîte pour tout dommage de livraison avant de l'ouvrir. S'il y a du dommage, contactez votre livreur ou un représentant Health o meter® Professional immédiatement au 1-800-815-6615. Les réclamations doivent être déposées avec le livreur aussi tôt que possible après la réception du paquet. L'information suivante décrit en détail ce que vous trouverez dans la boîte principale lorsque vous la déballez.

Pour prévenir d'endommager la balance, retirez avec soin l'unité de la boîte et enlevez tous les matériaux d'emballage. Mettez la boîte de côté pour l'entreposage. Pour éviter d'égratigner une des parties de la balance lors du déballage, n'utilisez pas d'exacto, de couteau, de ciseaux ou tout autre objet pointu pour ouvrir l'emballage protecteur.

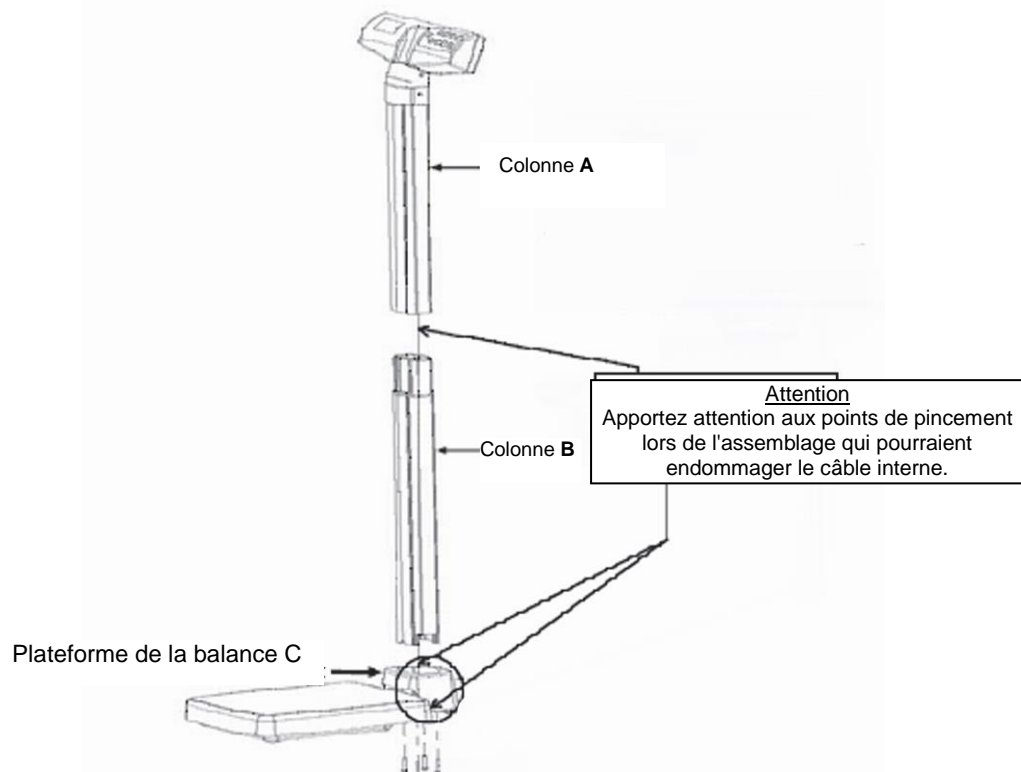
## Liste des Pièces

### Carton

- (1) Plateforme de la balance (C)
- (1) Colonne supérieure avec ensemble d'affichage (colonne A)
- (1) Colonne inférieure (colonne B)
- (6) Piles AA
- (1) Instructions aux utilisateurs

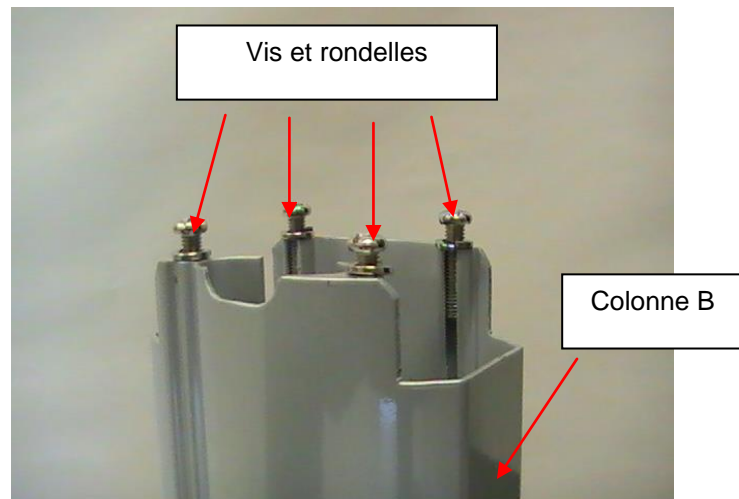
## Outils Requis

Tournevis à tête Philips (non-inclus)

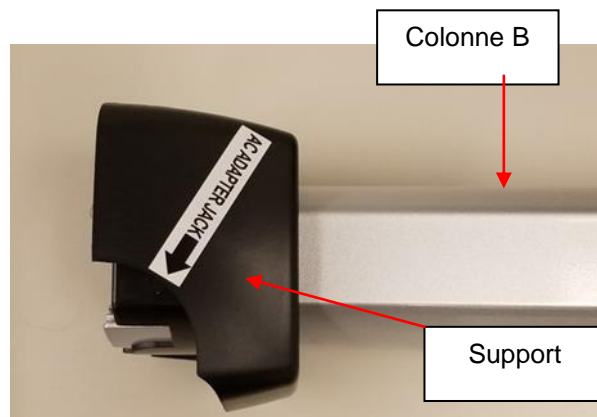


## INSTRUCTIONS D'ASSEMBLAGE (SUITE)

1. Enlevez soigneusement le contenu de la boîte et placez chaque pièce sur une surface plane, nivelée et sèche. Enlevez les 4 vis de montage et les rondelles du bas de la colonne B et mettez-les de côté pour l'étape 7 de l'assemblage.

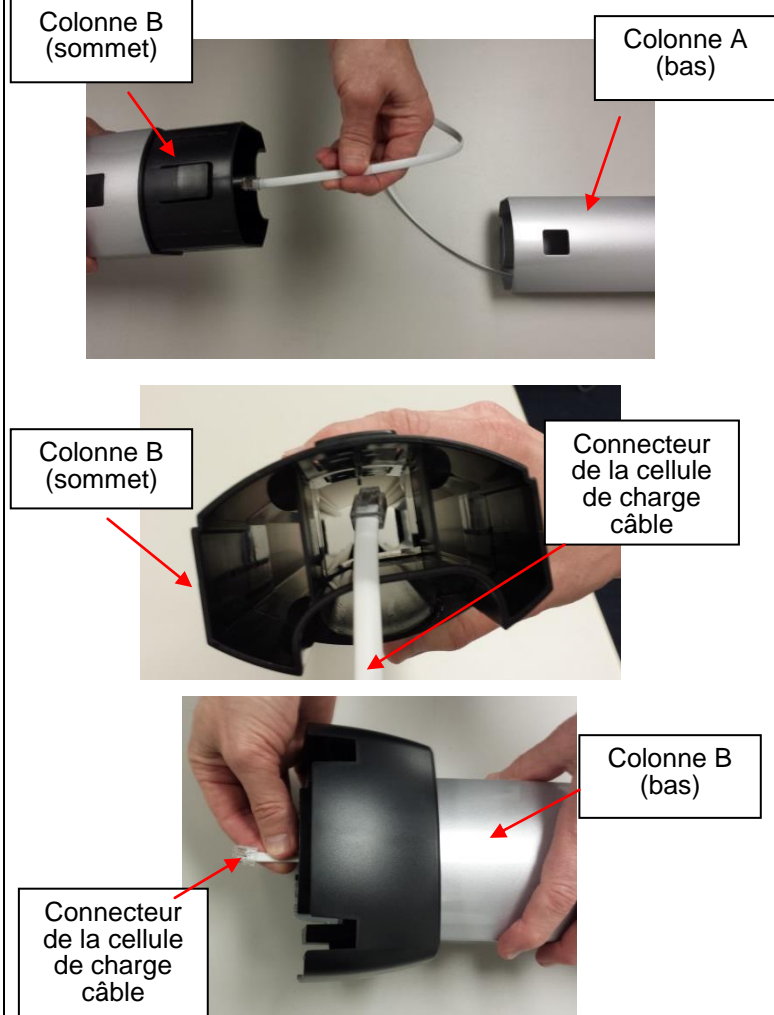


2. Enlevez le support noir de la plateforme C de la balance. Lisez l'étiquette « Attention » et puis retirez-le du support. Placez le support au bas de la colonne B avec la flèche de l'étiquette de la prise de l'adaptateur pointant vers le bas de la colonne.

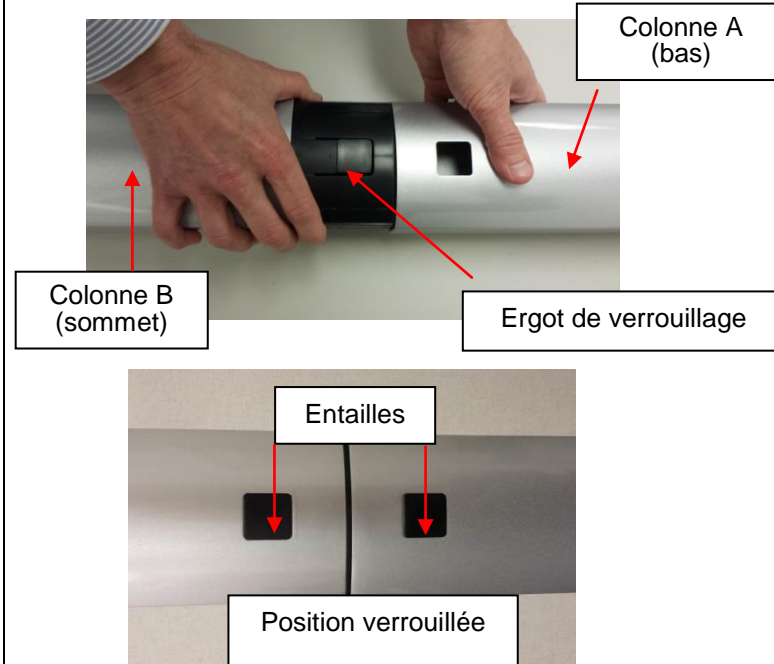


## INSTRUCTIONS D'ASSEMBLAGE (SUITE)

3. Situez le câble de connexion de la cellule de charge à l'intérieur de la colonne A. Pendant que vous tenez la colonne B, glissez le câble à travers l'ouverture du centre au sommet de la colonne B. Poussez le câble au complet à travers la colonne B jusqu'à ce que la prise atteigne le bas de la colonne.

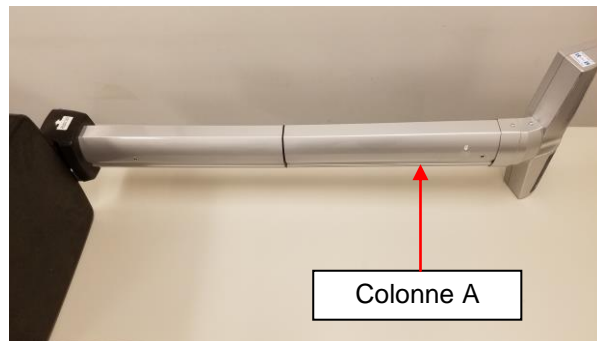
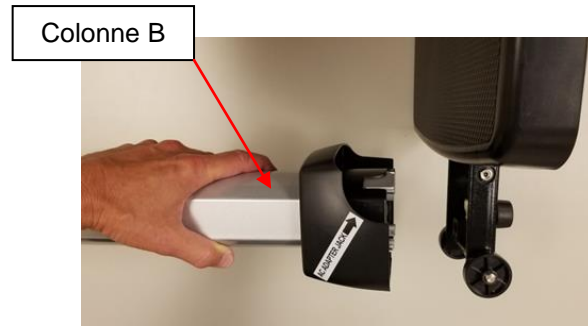


4. Alignez la colonne A et la colonne B. Les entailles sont situés à la base de la colonne A et au sommet de la colonne B. Enclenchez les ergots de verrouillage. Assurez-vous que la languette de verrouillage est fixée en place. **Note :** Lorsque vous alignez et verrouillez les colonnes, faites attention de ne pas pincer le câble de connexion de la cellule de charge.



## INSTRUCTIONS D'ASSEMBLAGE (SUITE)

5. Placez la plateforme C de la balance sur le côté et placez la colonne B sur le côté, perpendiculaire à la plateforme. Le devant de la tête de l'écran de la colonne A devrait faire face vers l'avant et au-dessus de la plateforme C de la balance.



6. Tirez avec attention le câble de connexion du dessous de la colonne B et branchez-le dans la prise RJ de la plateforme C de la balance. **Attention : Une fois branché, gardez une poigne ferme sur les colonnes pour vous assurer que le câble de connexion de la cellule de charge n'est pas tiré de la prise RJ.** Ce câble relie les cellules de charge à la tête d'affichage et doit être entièrement branché pour que la balance fonctionne correctement.



## INSTRUCTIONS D'ASSEMBLAGE (SUITE)

7. Positionnez et fixez les colonnes reliées A et B à la plateforme de la balance C. Situez les 4 vis de fixation qui avaient été retirées dans l'étape 2. Assurez-vous que les rondelles sont situées entre les têtes de vis et les trous de vis de la plateforme de la balance C. Insérez les 4 petites vis par les trous de vis du dessous de la plateforme de la balance C et dans la colonne B. En utilisant un tournevis à tête Phillips, serrez les vis pour fixer la colonne B à la base de la plateforme C.





# ALIMENTATION DE LA BALANCE

## Alimentation de la balance - Insérer les batteries

1. Avec un tournevis à tête Phillips enlevez la vis du couvercle du compartiment de la batterie et enlevez le couvercle de la batterie à l'arrière du montage de l'écran en appuyant sur la languette de verrouillage.



2. Remplacez ou installez de nouvelles batteries. Health o meter® Professional recommande d'utiliser une batterie alcaline ou au lithium, classée pour une utilisation à 130°F (54°C). Ne pas utiliser de batterie zinc-carbone.

3. Remplacez le couvercle de la batterie sur l'écran.

4. S'assurer que tous les objets sont retirés de la balance, et puis appuyez sur le bouton **ON/OFF** pour allumer la balance. L'écran affichera « Start », puis « 0.0 » LB ou « 0.0 » KG. Appuyez sur le bouton **LB/KG** pour sélectionner le mode de pesée (499KL seulement).

**Note :** L'icône pile de l'affichage n'indique pas la durée de vie de la pile. L'icône pile est affiché lorsque la balance utilise des piles comme source d'alimentation.

**Note :** Si la procédure de configuration échoue, référez-vous aux instructions de dépannage. Si le problème n'est pas réglé, contactez le service à la clientèle des balances Health o meter Professional au 1-800-815-6615.

**Note :** Si « Lo » apparaît sur l'affichage, cela indique que les piles sont faibles. Cela n'indique pas un problème avec la mesure de poids.

**Avertissement:** Si la balance ne sera pas utilisée pendant une certaine durée, enlevez les batteries pour éviter tout risque de sécurité. La disposition des batteries doit être faite conformément avec les réglementations nationales, régionales ou locales en vigueur s'appliquant à vous

## Adaptateur AC Optionnel

1. Reliez l'adaptateur AC (non-inclus) dans la prise de l'adaptateur sur la plateforme de la balance **C**.

**Avertissement:** Pour éviter tout danger de sécurité, utilisez un adaptateur AC de Health o meter Professional



2. Brancher l'adaptateur AC dans la source d'alimentation.

3. Lorsque l'adaptateur AC est débranché de la balance, la balance utilisera l'alimentation des batteries si les batteries sont installées.

**Attention:** raccordez toujours l'adaptateur secteur dans l'écran, puis dans la source d'alimentation / prise murale.

# INSTRUCTIONS DE MONTAGE

## **Fonction d'arrêt automatique**

En tant que fonctionnalité d'économie d'énergie, la balance s'éteindra automatiquement après 2 minutes d'inactivité. Par défaut cette fonction est activée.

## **Désactiver l'arrêt automatique**

1. Pendant que la balance est éteinte, appuyez et maintenez enfoncé le bouton **HOLD/RELEASE**.
2. Pendant que vous maintenez enfoncé le bouton **HOLD/RELEASE**, appuyez le bouton **ON/OFF** pour allumer la balance.
3. «START» apparaîtra brièvement sur l'écran suivi de « AOF=0».
4. L'arrêt automatique est maintenant désactivé, et la balance le restera jusqu'à ce que la balance soit manuellement éteinte.

## **Activer l'arrêt automatique**

1. Pendant que la balance est éteinte, appuyez et maintenez enfoncé le bouton **HOLD/RELEASE**.
2. Pendant que vous maintenez enfoncé le bouton **HOLD/RELEASE**, appuyez le bouton **ON/OFF** pour allumer la balance.
3. «START» apparaîtra brièvement sur l'écran suivi de « AOF=1».
4. L'arrêt automatique est maintenant activé.

## **Pour changer le mode de pesée LB to KG/KG to LB (499KL seulement)**

**Note:** LB ( livres ) est le poids par défaut unité de mesure lors de l'installation initiale / assemblage.

1. Appuyez sur le bouton **ON/OFF** pour allumer la balance.
2. Attendez jusqu'à ce que «0.0» LB ou «0.0» KG apparaisse à l'écran.
3. Appuyez sur le bouton **LB / KG** pour choisir entre LB ou KG.  
**Remarque:** La balance utilisera toujours la dernière unité utilisée par défaut, même après sa mise hors et sous tension. Pour verrouiller la balance dans une unité de mesure de poids, suivez les instructions ci-dessous.

## **Verrouillage KG et LB (499KL seulement)**

Le mode de pesée par défaut de cette balance peut être changé de LB/KG à KG seulement ou à LB seulement.

## **Instructions KG Verrouiller (499KL seulement)**

1. Appuyez sur le bouton **ON / OFF** pour allumer la balance. Attendez que "0.0" apparaît sur l'écran.
2. Appuyez sur le bouton **LB / KG** et maintenez-le enfoncé pour afficher l'icône KG weight et maintenez le bouton **LB / KG** enfoncé pendant environ 10 secondes.
3. Lorsque l'icône KG clignote, relâchez le bouton **LB / KG**. L'unité de poids KG mesure est maintenant verrouillé et reste verrouillé même si l'balance est désactivée.

## **Instructions LB Verrouiller (499KL seulement)**

**Remarque:** Pour verrouiller en mode de poids LB, vous devez suivre les instructions ci-dessus pour verrouiller en mode poids KG premier.

1. Une fois la balance verrouillée en mode KG, maintenez le bouton **LB / KG** enfoncé pendant environ 10 secondes jusqu'à ce que l'icône LB clignote.
2. Lorsque l'icône LB clignote, relâchez le bouton **LB / KG**. L'unité de poids LB mesure est maintenant verrouillé et reste verrouillé même si l'balance est désactivée.

## **Désactivation de LB / KG Lock Out (499KL seulement)**

**Remarque:** Si votre balance est verrouillé en mode KG, vous devez d'abord suivre les instructions ci-dessus pour verrouiller en mode LB, et ensuite commencer les instructions ci-dessous invalidantes.

1. Appuyez sur le bouton **ON / OFF** pour allumer la balance. Attendez que "0.0" apparaît sur l'écran.
2. Appuyez sur le bouton **LB / KG** et maintenez-le enfoncé jusqu'à ce que les icônes LB et KG clignotent. Lorsque les deux LB et KG clignotent sur l'écran, relâchez le bouton **LB / KG**. L'unité de mesure de poids est déverrouillé et en appuyant sur le bouton **LB / KG** permettre à l'utilisateur de basculer entre LB et KG.

# INSTRUCTIONS D'UTILISATION

## Clavier



(Remarque: il n'y a pas de bouton LB / KG sur le 499KG)

Fonction	Description
<b>ON/OFF</b>	Allume et éteint la balance.
<b>ZERO</b>	Remise à zéro avant une pesée.
<b>HOLD/RELEASE</b>	Retient une valeur de poids du patient sur l'écran jusqu'à ce que le bouton soit appuyé une autre fois pour effacer la valeur.
<b>BMI</b>	Demande d'entrer les données de hauteur pour calculer l'Indice de Masse Corporelle (IMC) du patient.
<b>LB/KG</b>	Alterne entre les livres (lb) et les kilogrammes (kg). (499KL seulement)
<b>CLEAR</b>	Retire une entrée incorrecte de hauteur en mode IMC.
<b>UP ▲</b>	Incrémente les valeurs de hauteur (incréments de 0.5 pouces / 0.5 cm)
<b>DOWN ▼</b>	Réduit les valeurs de hauteur (incréments de 0.5 pouces / 0.5 cm)
<b>ENTER</b>	Utilisé pour accepter des valeurs de hauteur en mode IMC.

# INSTRUCTIONS D'UTILISATION (SUITE)

## Peser un Patient

**Note:** Lorsque cette balance est allumée, elle retournera toujours aux réglages et unités utilisés en dernier (LB ou KG).

1. Assurez-vous qu'aucun objet n'est sur la plate-forme. Appuyez sur le bouton **ON / OFF** pour allumer l'écran.
2. "StArt" apparaît brièvement sur l'écran, suivi de "0.0" LB ou "0.0" KG.



3. Aidez le patient sur la balance. La balance commencera à afficher les informations de poids. Quand un poids stable est déterminé, "LOCK" apparaît avec le poids du patient. Selon le mouvement du patient sur la balance, il peut falloir plusieurs secondes pour que la balance se verrouille sur le poids.

**Mise en Garde: Pour prévenir une blessure du patient, le patient doit être assisté pendant toute la durée de l'événement de pesée.**

4. Le poids peut être retenu sur l'écran en appuyant sur le bouton **HOLD/RELEASE**. Pour l'effacer, appuyez sur le bouton **HOLD/RELEASE** à nouveau. **Remarque:** La balance ne s'éteindra pas automatiquement si un poids est maintenu à l'écran.
5. Après que le pesée ait été prise et enregistrée, dites au patient de se retirer de la balance.
6. Appuyez sur le bouton **ON/OFF** pour éteindre la balance.

## Fonction Zéro

Lors de l'utilisation de cette balance, le poids d'un objet peut être soustrait en permettant à du poids additionnel d'être ajouté et affiché. La fonction zéro effectue automatiquement cette soustraction.

## Fonction Tare

Lorsque vous utilisez cette balance, le poids d'un objet, comme un réservoir d'oxygène portable, peut être soustrait du poids total pour déterminer le poids du patient seul.

1. Assurez-vous qu'aucun objet n'est sur la plate-forme. Appuyez sur le bouton **ON / OFF** pour allumer l'écran.
2. "StArt" apparaît brièvement sur l'écran, suivi de "0.0" LB ou "0.0" KG.
3. Placez l'objet sur la balance. L'écran affichera une valeur pour le poids de l'objet. Le poids minimum pouvant être taré est de 5 lb / 2,27 kg. Remarque: La balance doit se bloquer sur un poids avant de pouvoir être taré.
4. Appuyez sur le bouton **ZERO**. Le mode « TARE » apparaîtra sur le montage de l'écran suivi par « 0.0 » LB ou « 0.0 » KG.
5. Gardez l'objet sur la plateforme, et demandez au patient de monter sur la balance aussi. La balance déduira automatiquement le poids de l'objet et affichera seulement le poids du patient.
6. Lorsque vous enlevez un objet de la plateforme, « under » sera temporairement affiché et ensuite l'affichage retournera à « 0.0 » LB ou « 0.0 » KG..

## INSTRUCTIONS D'UTILISATION (SUITE)

### **Fonction IMC**

L'indice de masse corporelle (IMC) est un ratio entre le poids d'une personne et sa hauteur et interprété comme un score IMC. Ce score IMC est ensuite utilisé comme outil pour catégoriser un patient comme poids insuffisant, normal, surplus de poids, obèse ou obèse morbide.

**Note:** La balance ne calculera pas l'IMC pour un patient qui pèse 24 livres (11 kg) ou moins.

**Note :** Si une hauteur n'est pas entrée pour le patient pendant les 30 secondes suivant l'appui du bouton BMI, la balance retournera au mode de pesée normal.

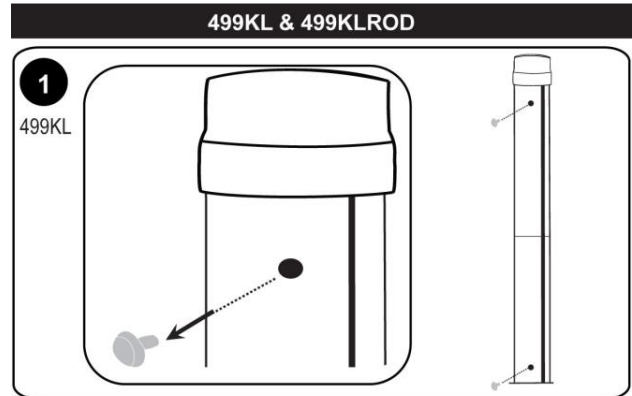
1. Assurez-vous qu'aucun objet n'est sur la plate-forme. Appuyez sur le bouton **ON / OFF** pour allumer l'écran.
2. "StArt" apparaît brièvement sur l'écran, suivi de "0.0" LB ou "0.0" KG.
3. Aidez le patient sur la balance. La balance commencera à afficher les informations de poids. Quand un poids stable est déterminé, "LOCK" apparaît avec le poids du patient. Selon le mouvement du patient sur la balance, il peut falloir plusieurs secondes pour que la balance se verrouille sur le poids. Après avoir obtenu le poids du patient sur la balance, appuyez sur le bouton **BMI** pendant que la balance est allumée.
4. L'affichage affichera 65.0 po (en mode LB) ou 150.0 cm (en mode KG). Utilisez les boutons ▲ et ▼ du clavier pour entrer la hauteur du patient en pouces si pesant en livres ou en centimètres si pesant en kg.
5. Une fois que la hauteur est entrée, appuyez sur le bouton **ENTER**.
6. L'écran affichera l'IMC du patient.
7. Appuyez sur le bouton **CLEAR** pour retourner en mode de pesée normal de la balance.

# INSTRUCTIONS DE MONTAGE POUR TOISE OPTIONNELLE (499KLROD)

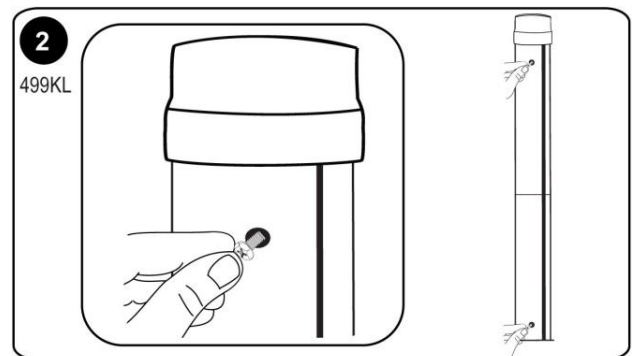
**Remarque: Ces instructions sont pour le montage de toise optionnelle à la balance 499KL / 499KG. Une barre de hauteur n'est pas incluse avec la balance 499KL/499KG et peut être achetée séparément comme article 499KLROD.**

## 499KLROD Montage

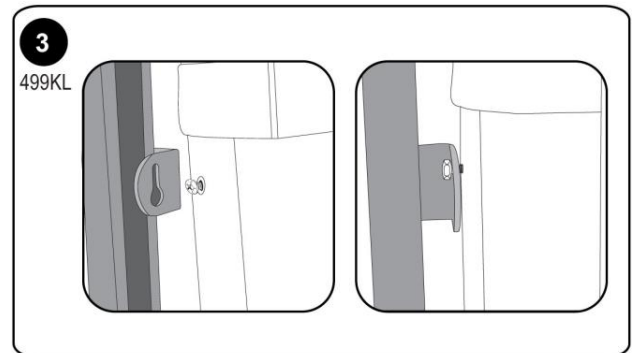
1. Retirez les 2 couvercles de vis en plastique sur le pilier de la balance.



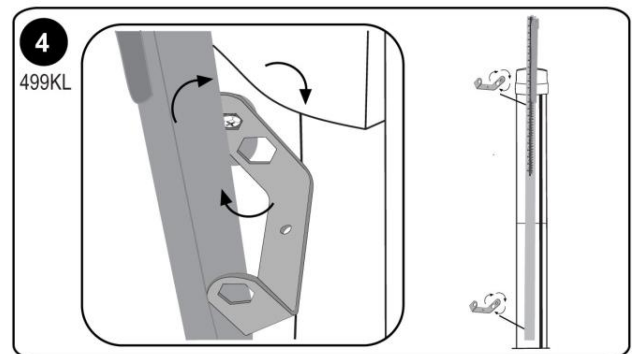
2. Insérez les vis fournies dans les trous sur le pilier.



3. Positionnez les grandes fentes en trou de serrure sur la tige de hauteur sur chaque tête de vis. Lorsqu'elles sont positionnées correctement sur les deux vis, glissez doucement le 499KLROD à fond vers le bas, afin de sécuriser les verrous en trou de serrure.



4. Serrez les vis avec la clé fermée (la clé est fournie avec le 499KLROD). Une clé à molette peut être utilisée pour serrer les vis ainsi.






# INSTRUCTIONS POUR LA MESURE DE HAUTEUR

**Remarque:** Ces instructions concernent la mesure de la hauteur à l'aide de la tige de hauteur optionnelle. Une barre de hauteur n'est pas incluse avec la balance 499KL/499KG et peut être achetée séparément comme article 499KLROD.

**AVERTISSEMENTS:** Soyez prudent lorsque vous faites coulisser la tige de haut en bas. La tige devrait bouger doucement. Rabattre la coiffe lorsqu'elle n'est pas utilisée.

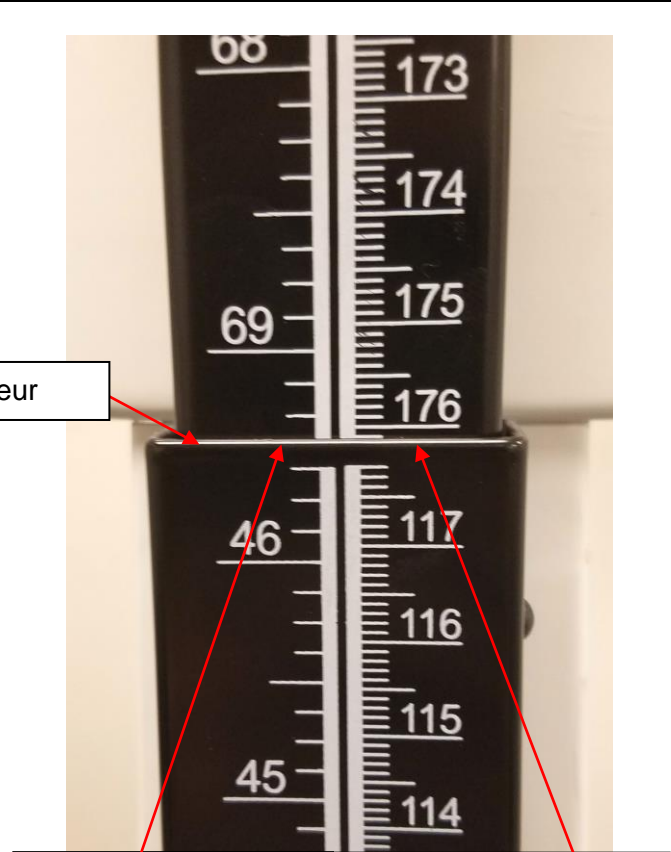
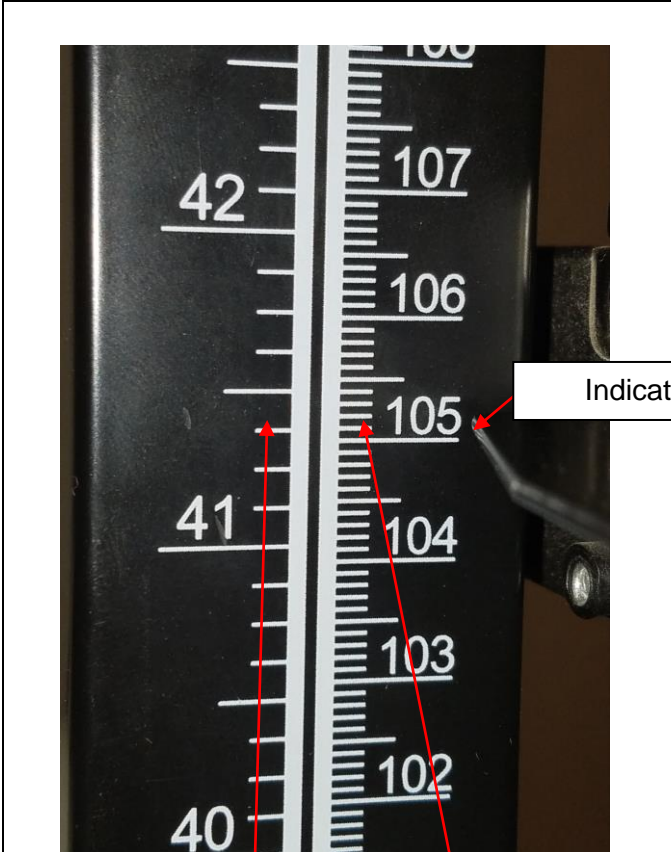
**Remarque :** Un patient doit mesurer un minimum de 23-5/8 po (600 mm) en hauteur pour veiller à ce que la hauteur soit mesurée avec précision.

<p>1. Avec la tête en position rabattue, faites glisser le casque vers le haut ou le bas jusqu'à la hauteur estimée du patient. Puis soulevez la tête dans sa position horizontale.</p> <p>Pour abaisser la tige en dessous de 46 3/8 po, poussez la languette en haut de la tige de hauteur et abaissez doucement la tête.</p>	  <p>Poussez la languette vers l'intérieur pour abaisser la tige en dessous de 46 3/8 po</p>
<p>2. Assurez-vous que la posture du patient est en position droite, et que la tête du patient est droite et de niveau. Poussez la tête vers le bas jusqu'à ce qu'elle se repose sur la tête du patient.</p>	
<p>3. Déterminez la hauteur du patient en prenant une lecture de la valeur sur la bande de mesure à la plus proche à la ligne sur l'indicateur (voir la page suivante).</p>	

# INSTRUCTIONS POUR LA MESURE DE HAUTEUR

**Hauteur de la tige inférieure à 46 3/8 po**

**Hauteur de la tige étendue au-dessus de 46 3/8 po**

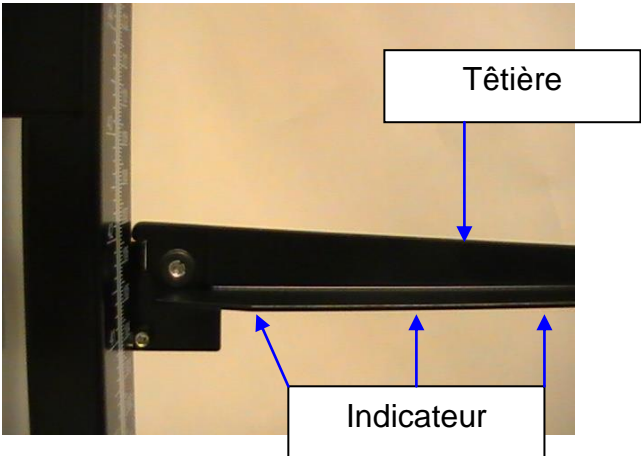


Pouces lus : 41 po + 3/8 po = 41 3/8 po

CM lu : 105 cm + 0,2 cm = 105,2 cm

Pouces lus : 69 po + 3/8 po = 69 3/8 po

CM lu : 176 cm + 0,2 cm = 176,2 cm





## CALIBRATION

**Cette balance a été calibrée en usine, et n'a pas besoin d'être calibrée avant l'utilisation.**

Si requis, la balance peut être calibrée. La calibration de votre balance est effectuée en utilisant des kilogrammes (KG) ou livres (LB) en conformité avec les unités de mesure utilisées lors du processus de calibration. Lors de l'étalonnage en livres, un total de 500 lb est requis (ou 300 lb pour les modèles plus récents), appliqué par incréments de 100 lb, 200 lb, 300 lb et 500 lb. Si vous calibrez en kilogrammes, un total de 200 kg est requis (ou 120 kg pour les nouveaux modèles), appliqués par incréments de 40 kg, 80 kg, 120 kg et 200 kg. **LE 499KG NE PEUT ÊTRE CALIBRÉ QUE DANS DES KILOGRAMMES.**

**Note: Seuls les poids certifiés et traçables aux normes nationales doivent être utilisés pour les procédures d'étalonnage.**

**Pour les balances avec des codes de date supérieurs à 2517, un poids de seulement 300 lb (120 kg) est requis pour l'étalonnage. Voir l'étiquette blanche au dos de la tête d'affichage pour déterminer le code de date de votre solde.**

**Exemple: Code de date 4217, la procédure d'étalonnage est terminée après 300 lb (120 kg).**

ACTION	L'ÉCRAN AFFICHE
Appuyez et maintenez enfoncé les boutons <b>LB/KG</b> (499KL) ou le bouton bleu vide (499KG) et <b>ZERO</b> en même temps, et puis appuyez sur le bouton <b>ON/OFF</b> pour allumer la balance. Relâchez les trois boutons lorsque "CAL" apparaît sur l'affichage. Des chiffres apparaîtront indiquant que vous pouvez commencer l'étalonnage.	« CAL » suivi par Nombres
Appuyez sur le bouton ZERO. « C-100 » (pour le mode LB) ou « C-40 » (pour le mode KG) clignotera à l'écran, suivi par « 0 » ou « 1 ».	Nombres suivi par « C-100 » (pour le mode LB) ou « C-40 » (pour le mode KG) et puis « 0 » ou « 1 ».
Placez 100 lbs ou 40 kg sur la balance. Chiffres numériques apparaîtront. Lorsque les chiffres de calibration se stabilisent, appuyez sur le bouton <b>ZERO</b> . « C-200 » (pour le mode LB) ou « C-80 » (pour le mode KG) clignotera à l'écran, suivi par « 0 » ou « 1 ».	Nombres suivi par « C-200 » (pour le mode LB) ou « C-80 » (pour le mode KG) et puis « 0 » ou « 1 ».
Placez un poids supplémentaire de 100 lb ou 40 kg sur la balance, pour un total de 200 lb ou 80 kg. Chiffres numériques apparaîtront. Lorsque les chiffres de calibration se stabilisent, appuyez sur le bouton <b>ZERO</b> . « C-300 » (pour le mode LB) ou « C-120 » (pour le mode KG) clignotera à l'écran, suivi par « 0 » ou « 1 ».	Nombres suivi par « C-300 » (pour le mode LB) ou « C-120 » (pour le mode KG) et puis « 0 » ou « 1 ».
Placez un poids supplémentaire de 100 lb ou 40 kg sur la balance, pour un total de 300 lb ou 120 kg. Chiffres numériques apparaîtront. Lorsque les chiffres de calibration se stabilisent, appuyez sur le bouton <b>ZERO</b> . <i>*Pour les modèles avec des codes de date supérieurs à 2517, la procédure d'étalonnage est maintenant terminée et "END" apparaît sur l'affichage. Pour les modèles avec des codes de date inférieurs à 2517, « C-500 » (pour le mode LB) ou « C-200 » (pour le mode KG) clignotera à l'écran, suivi par « 0 » ou « 1 ».</i>	Nombres suivi par « C-500 » (pour le mode LB) ou « C-200 » (pour le mode KG) et puis « 0 » ou « 1 ». <i>(ou "END" pour les modèles avec des codes de date supérieurs à 2517)</i>
Placez un poids supplémentaire de 200 lb ou 80 kg sur la balance, pour un total de 500 lb ou 200 kg. Chiffres numériques apparaîtront. Lorsque les chiffres de calibration se stabilisent, appuyez sur le bouton <b>ZERO</b> . « END » apparaîtra à l'écran suivi de «OFF». La balance s'éteindra automatiquement.	Nombres suivi de « END » et puis « OFF ».

# DÉPANNAGE

Avant de contacter du personnel de service, référez-vous aux instructions suivantes pour vérifier ou corriger tout problème.

Symptômes	Causes Possibles	Action Corrective
La balance ne s'allume pas	1. Batterie déchargée 2. Prise électrique défectueuse 3. Mauvais bloc d'alimentation	1. Remplacer la batterie 2. Utiliser une prise différente 3. Remplacer l'adaptateur AC
Poids questionnables ou la balance ne se remet pas à zéro	1. Un objet externe interfère avec la balance. 2. L'écran n'a pas affiché « 0.0 » avant la pesée. 3. La balance n'est pas placée sur un plancher nivelée. 4. La balance n'est pas calibrée	1. Enlevez l'objet qui interfère de la balance. 2. Demandez au patient de se retirer de la balance, mettez à zéro la balance et recommencez le processus de pesée. 3. Placez la balance sur un plancher nivelé et recommencez le processus de pesée. 4. Vérifiez la pesée avec un poids connu.
La pesée est effectuée mais le processus de pesée prend trop longtemps et le poids ne se verrouille pas sur ce qui est affiché	Le patient n'est pas immobile.	Demandez au patient de se tenir de façon immobile.
L'écran affiche le message « Over »	La charge sur la balance excède la capacité (500 lb / 220 kg)	Enlevez l'excès de poids et utilisez cette balance en conformité avec ses limites.
L'écran affiche le message « Lo »	Les batteries sont déchargées	Remplacez la batterie en conformité avec les instructions.
La balance s'allume mais n'enregistre pas de lecture de poids	Le câble de connexion de la cellule de charge n'est pas branché	Reportez-vous aux instructions ci-dessous pour inspecter le câble de la cellule de charge.

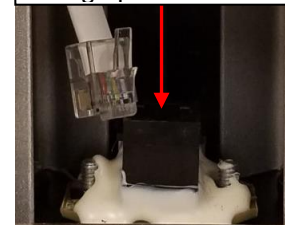
## Inspection du câble de la cellule de charge



Câble de cellule de charge connecté



Câble de cellule de charge pas connecté



1. À l'aide d'un tournevis cruciforme, retirez la porte à l'arrière de la base de la plate-forme. (\* Les modèles plus anciens peuvent ne pas inclure cette fonctionnalité. Pour inspecter le câble de la cellule de pesage, suivez les instructions d'assemblage pour déconnecter la plate-forme de la colonne.)

2. Inspectez le câble du connecteur du capteur de charge pour vous assurer qu'il est complètement branché dans la prise RJ. Si le câble est branché, débranchez-le et rebranchez-le jusqu'à ce qu'il s'enclenche. Après avoir vérifié la connexion, remplacez la porte à l'arrière de la base de la plate-forme ou réassemblez la plate-forme et la colonne.

# ENTRETIEN

## Entretien

Les pages suivantes fournissent des instructions pour la maintenance, le nettoyage, la calibration et le dépannage de la balance 499KL. Les opérations de maintenance autres que celles décrites dans ce manuel devraient être effectuées par du personnel de service qualifié.

**Mise en Garde: Avant la première utilisation, ou après de longues périodes de non-utilisation, vérifiez la balance pour une opération et un fonctionnement approprié. Si la balance ne fonctionne pas correctement, référez-vous à du personnel de service qualifié.**

1. Inspectez l'apparence générale de la balance pour quelconque signe évident de dommage ou d'usure.
2. Si applicable, inspectez l'adaptateur AC pour du craquement / effilochage ou pour des prises brisées / pliées.

**Note :** Cette balance est un appareil de pesée extrêmement sensible. Des articles comme des vêtements ou des serviettes placés ou échappés sur la balance pourraient l'activer. Pour prévenir ceci ou la décharge des piles, n'entreposez ou ne laissez rien sur la balance.

## Nettoyage

Des soins et un nettoyage appropriés sont nécessaires pour assurer une longue durée de vie et une pesée précise et efficace.

**Mise en Garde: Débranchez la balance de la source d'alimentation avant de nettoyer l'unité.**

1. Nettoyez toutes les surfaces externes avec un chiffon ou un tissu propre et humide. Un savon antimicrobien ou antibactérien doux et une solution aqueuse peut être utilisée. Séchez avec un tissu doux propre.
2. N'immergez pas la balance dans d'autres solutions de nettoyage ou liquides.
3. Ne pas utiliser d'alcool isopropylique ou d'autres solutions pour nettoyer l'écran.
4. Ne pas utiliser de nettoyeurs abrasifs.

## Pièces de remplacement

Des pièces de remplacement sont disponibles si la tige de hauteur doit être réparée. Communiquez avec le service à la clientèle des balances Health o meter Professional au 1-800-815-6615 pour demander la disponibilité de ces pièces de remplacement.

# de pièce	Description
500KLKEYPAD	Film de protection du clavier
80-00682	Film de protection du clavier (499KG)
499KLROD	Tige de hauteur
500KLWHEELS	Ensemble de 2 roues
500KLFOOT	Pied pour la base
500KLMAT	Tapis de remplacement pour la plate-forme
BATTDOR500	Batterie porte du compartiment
500KLPILLARFOOT	Pied pour pilier
ADPT31	Adaptateur secteur

# GARANTIE

## **Garantie Limitée**

### **Qu'est-ce que la Garantie Couvre?**

Les balances Health o meter® Professional sont garanties à partir de la date d'achat contre les défauts matériels ou de main-d'œuvre pour une période de deux (2) ans. Si le produit ne fonctionne pas correctement, retournez le produit, livraison prépayée et emballé de manière appropriée à Pelstar, LLC (voir « Pour Obtenir un service de Garantie », ci-dessus pour les instructions). Si le fabricant détermine qu'un défaut de matériel ou de main-d'œuvre existe, la compensation pour le client sera le remplacement de la balance sans aucun frais. Un remplacement sera effectué avec une composante ou un produit neuf ou remanufacturé. Si le produit n'est plus disponible, un remplacement pourra être fait avec un produit similaire de valeur égale ou plus élevée. Toutes les pièces, incluant ceux remplacées, sont couvertes seulement à partir de la date originale de la garantie.

### **Qui est couvert?**

L'acheteur original du produit doit détenir une preuve d'achat pour recevoir un service de garantie. Veuillez garder votre facture ou reçu. Les fournisseurs Pelstar ou magasins vendant des produits Pelstar n'ont pas le droit d'altérer, de modifier ou de changer de quelque façon les termes et conditions de cette garantie.

Qu'est-ce qui est exclus?

**Votre garantie ne couvre pas l'usure normale des pièces ou dommages résultant de:** Utilisation négligente ou mauvaise utilisation du produit, utilisation d'un voltage ou courant inapproprié, utilisation contraire aux opérations d'instructions, abus incluant l'altération, le dommage pendant un transit, ou une réparation ou des altérations non-autorisées. De plus, la garantie ne couvre pas les catastrophes naturelles, telles que le feu, les inondations, les ouragans et les tornades. La garantie vous donne des droits légaux spécifiques, et il est possible que vous ayez aussi d'autres droits qui varient d'un pays à l'autre, d'un état à l'autre, d'une province à l'autre ou d'une juridiction à l'autre.

**Pour obtenir un Service de Garantie, assurez-vous que vous gardez votre reçu de ventes ou document montrant la preuve de votre achat.** Appelez le (+1) 800-638-3722 ou le (+1) 708-377-0600 pour recevoir un numéro d'autorisation de retour (RA), numéro qui doit être inclus sur l'étiquette de retour. Attachez votre preuve d'achat sur votre produit défectueux avec votre nom, adresse, numéro de téléphone de jour et description du problème. Emballer le produit avec soin et envoyez-le avec transport et assurance prépayée à:

Pelstar, LLC

Attention R/A# \_\_\_\_\_

Département des Retours

9500 West 55<sup>th</sup> Street

McCook, IL 60525

## **Garantie prolongée disponible\***

Cette balance est éligible pour le programme de garantie étendue professionnelle Health o meter® Professional ScaleSurance®. ScaleSurance® prolonge la période de garantie pendant deux ans supplémentaires. Cette extension de la garantie limitée standard peut être achetée avec de nouvelles balances ou pour l'balance existante d'une installation avant que sa garantie actuelle n'ait expiré. Pour en savoir plus, visitez [www.homscales.com/scalesurance/](http://www.homscales.com/scalesurance/) ou contactez votre distributeur d'approvisionnement médical.

\*Non disponible dans tous les pays



**PELSTAR, LLC**

**9500 West 55th St. McCook, IL 60525-7110 USA**

**1-800-638-3722 or 1-708-377-0600**

VEUILLEZ ENREGISTRER VOTRE BALANCE POUR LA COUVERTURE DE GARANTIE AU:

[www.homscales.com](http://www.homscales.com)

Health o meter® est une marque de commerce enregistré de Sunbeam Products, Inc. Utilisée sous licence.

Les produits Health o meter® Professional sont manufacturés, conçus, et possédés par Pelstar, LLC.

Nous nous réservons le droit d'améliorer, rehausser, ou modifier les fonctionnalités ou les spécifications des produits Health o meter® Professional sans préavis.

© Pelstar, LLC 2019