



**Tork Elevation T1 10" JBT Dispenser:**  
 T1 System: 554020A (white); 554028A (black)  
**Dispenser Dimensions HxWxD Inches (cm):**  
 14.2 x 17.2 x 5.2 (36.0 x 43.7 x 13.3 cm)

**Refill Product Options (T1 System):**  
 12021502 (Tork Advanced, 2 Ply)  
 11010402 (Tork Advanced, 1 Ply)

**Dispenser Parts**



Part Description	Replacement SKU
KEY FOR TORK DISPENSER	200260 KEY
T1 HOOD WHITE	225540
T1 HOOD BLACK	225541
ELEVATION LOCK - WHITE	205502
ELEVATION LOCK - BLACK	205503

**Part Description with Replacement Instructions**

Parts with SKU numbers are available for order as of the revision date on the manual. Contact an Essity Sales Rep or the Essity Quality Coordinator to order these parts.

**Replacement SKU      Description & Replacement Instructions**

225540 White 225541 Black	<b>T1 HOOD</b> The hood can be replaced. There is a tabbed pivot on the hood that should be aligned with the notched hole on the back. The notch and tab will line up when the cover is open approximately 45 degrees. Push out to release from back on one side, then the other.
205540	<b>3" CORE ADAPTOR</b> There is a 3" core adaptor that can be inserted on the current core holder to allow the dispenser to be used with T21 or T22 9" diameter refills. Order from sample fulfillment website.
205502 White 205503 Black	<b>ELEVATION LOCK (WHITE OR BLACK)</b> The lock can be replaced by pressing the plastic tabs on each side to free the lock from the opening.
200260 KEY	<b>METAL KEY FOR TORK DISPENSERS</b>

Mounting and Filling Instructions

Installation instruction sheet and mounting template are provided inside each carton.

*@!r*

+

10:11

x1

E:S= X4

x4

8

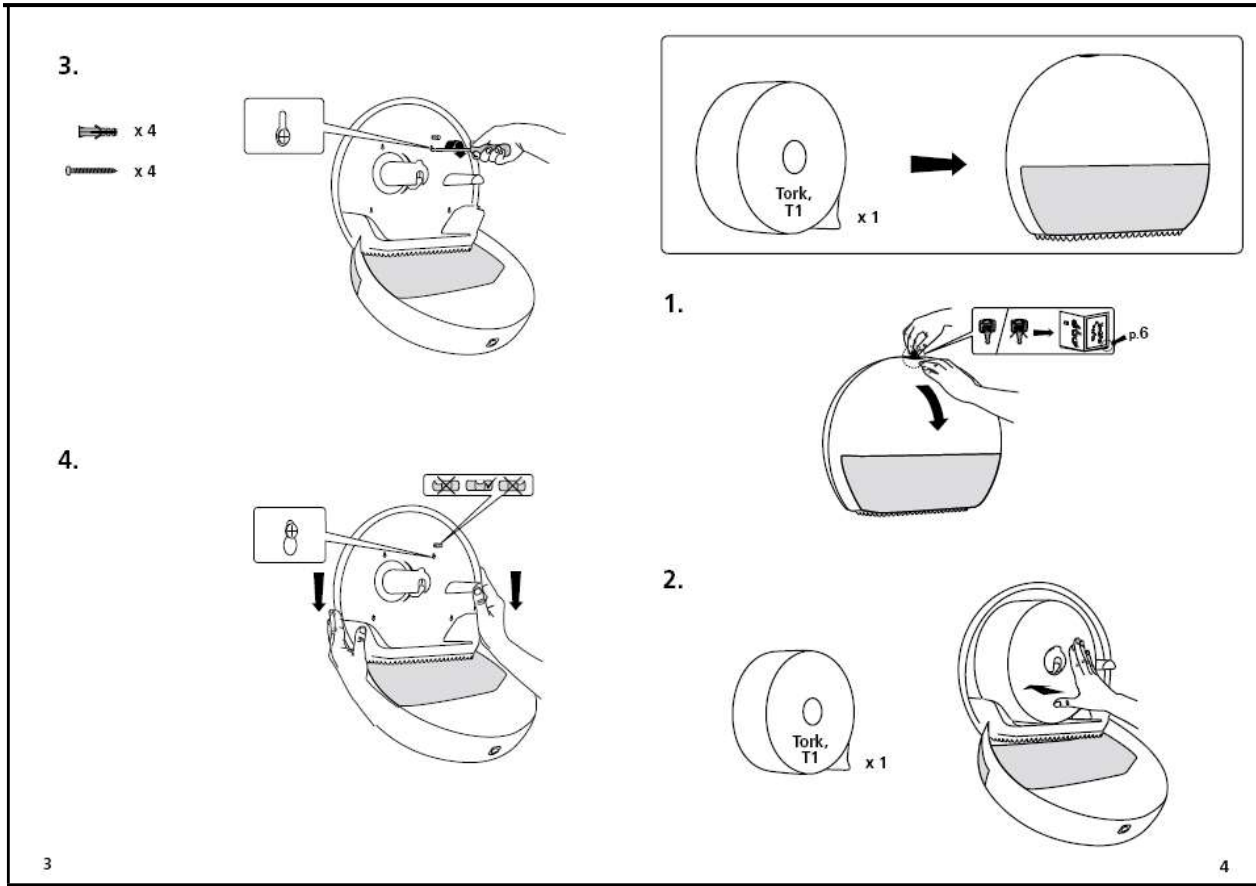
1

1.

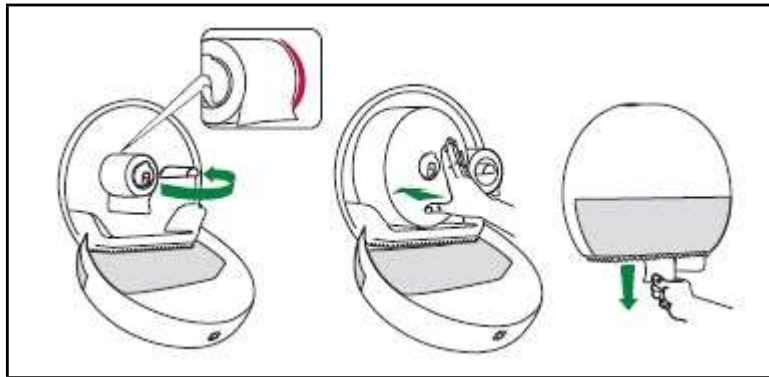
70<111

2.

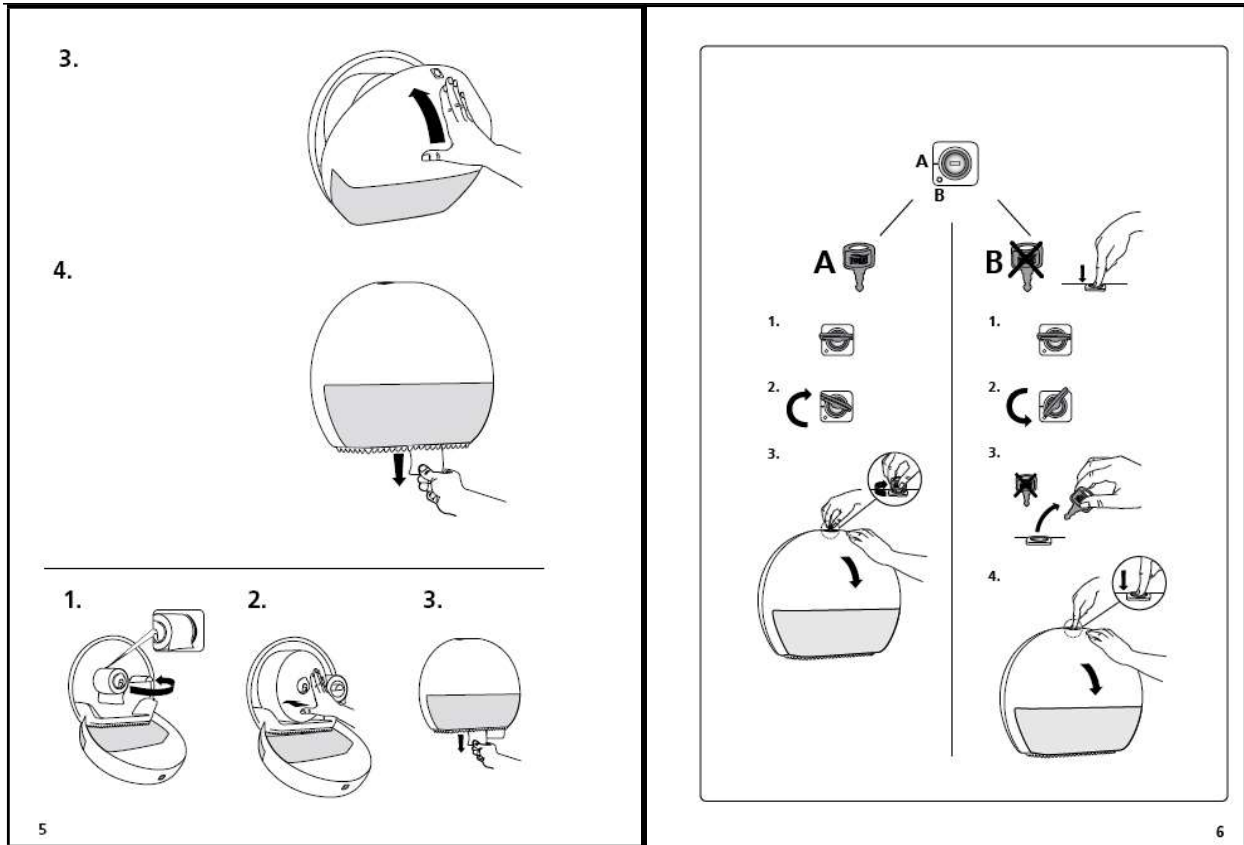
2



### **Using Stub Roll Feature**



The dispenser has an indication of when the roll may be moved to the stub roll position. When the red mark printed on the back of the dispenser is visible, the roll may be moved onto the stub roll spindle and a new, full roll may be replaced on the main spindle.



### **Preventive Maintenance**

The dispenser should be cleaned any time there is heavy paper dust build-up inside the dispenser. If paper dust is not a problem, approximately every year is a good frequency for cleanings. The following is the recommended procedure to cleaning:

- 1) Open the dispenser and remove the roll of paper.
- 2) Clean out any paper dust. This can be done in several ways, such as, vacuuming, blowing out with a can of compressed air (wear safety glasses), wiping out with a damp cloth, etc.
- 3) Clean the cover with a general all-purpose cleaner that is safe for plastics.

### **Troubleshooting**

#### **Problem: Any paper-related problem.**

- Take note of the date code on the outside of the case of paper product. Then contact the Essity Quality Coordinator and explain the problem.

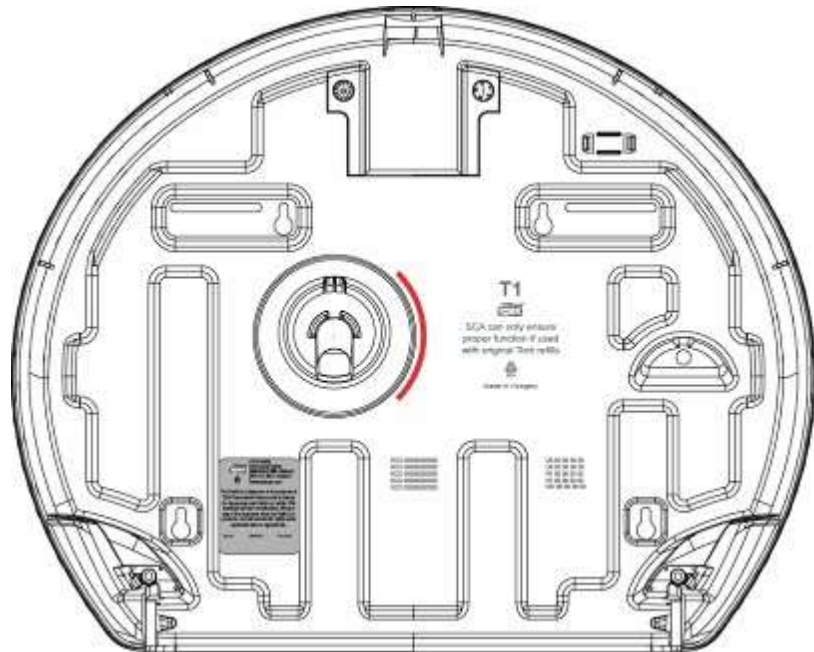
#### **Problem: Any other problem not stated above.**

- Contact the Essity Quality Coordinator.

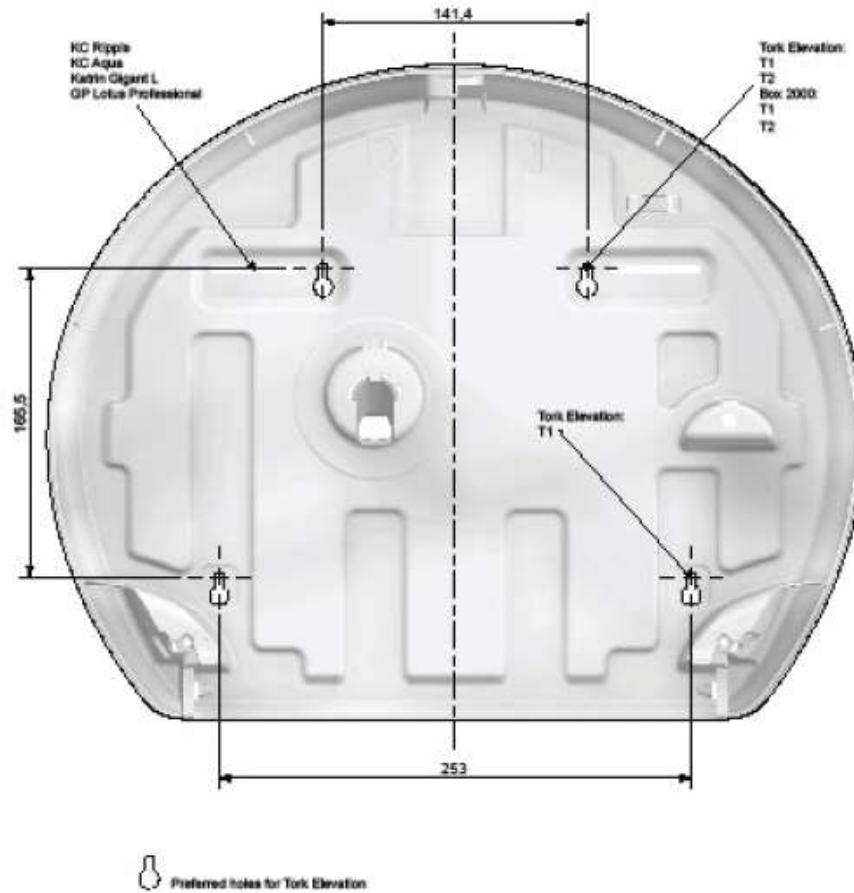
### **Contacting Essity**

To contact the Essity Quality Coordinator, dial 1-866-722-6659 and press 6.

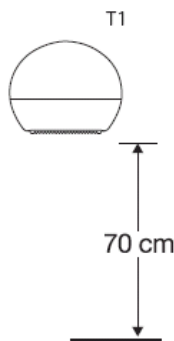
Product Date Code Location: The assembly date code for the product can be found on the TorkSelect label affixed to the inside back of the dispenser.



**554020A – 554028A Tork Elevation T1 10" JBT Dispenser  
Mounting Hole Dimensions (mm)**



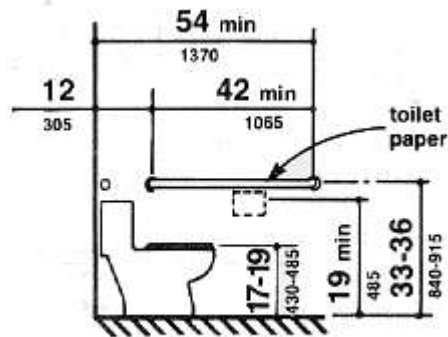
**Recommended Mounting Height (standard access)**



Mount dispenser 27.5" (70cm) above finished floor.

**Recommended Mounting Height (ADAAG Guideline)**

**4.16.6 Dispensers.** Toilet paper dispensers shall be installed within reach, as shown in [Fig. 29\(b\)](#). Dispensers that control delivery, or that do not permit continuous paper flow, shall not be used.



(b)  
Side Wall  
Figure 29b  
Grab Bars at Water Closets  
Side Wall

A 42 inch (1065 mm) minimum length grab bar is required to the side of the water closet spaced 12 inches (305 mm) maximum from the back wall and extending a minimum of 54 inches (1370 mm) from the back wall at a height between 33 and 36 inches (840-915 mm). The toilet paper dispenser shall be mounted at a minimum height of 19 inches (485 mm). (4.16.3, 4.16.4, 4.16.6)

**Note:** Compliance with ADA guidelines is the responsibility of the installer and building owner. Local and state requirements may differ from ADAAG guidelines.