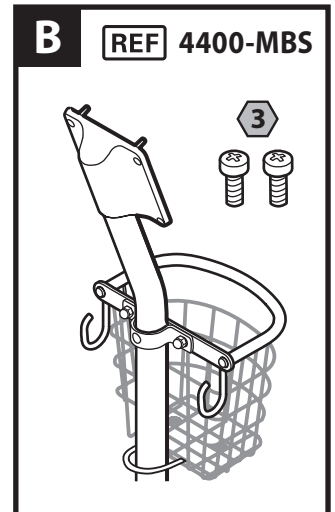
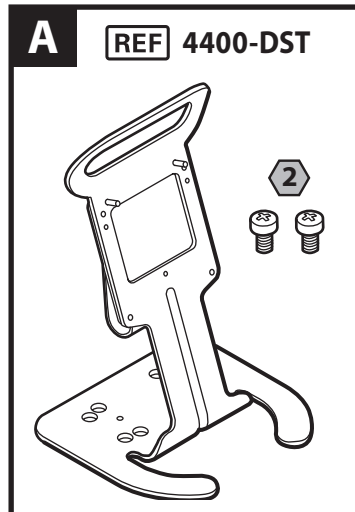
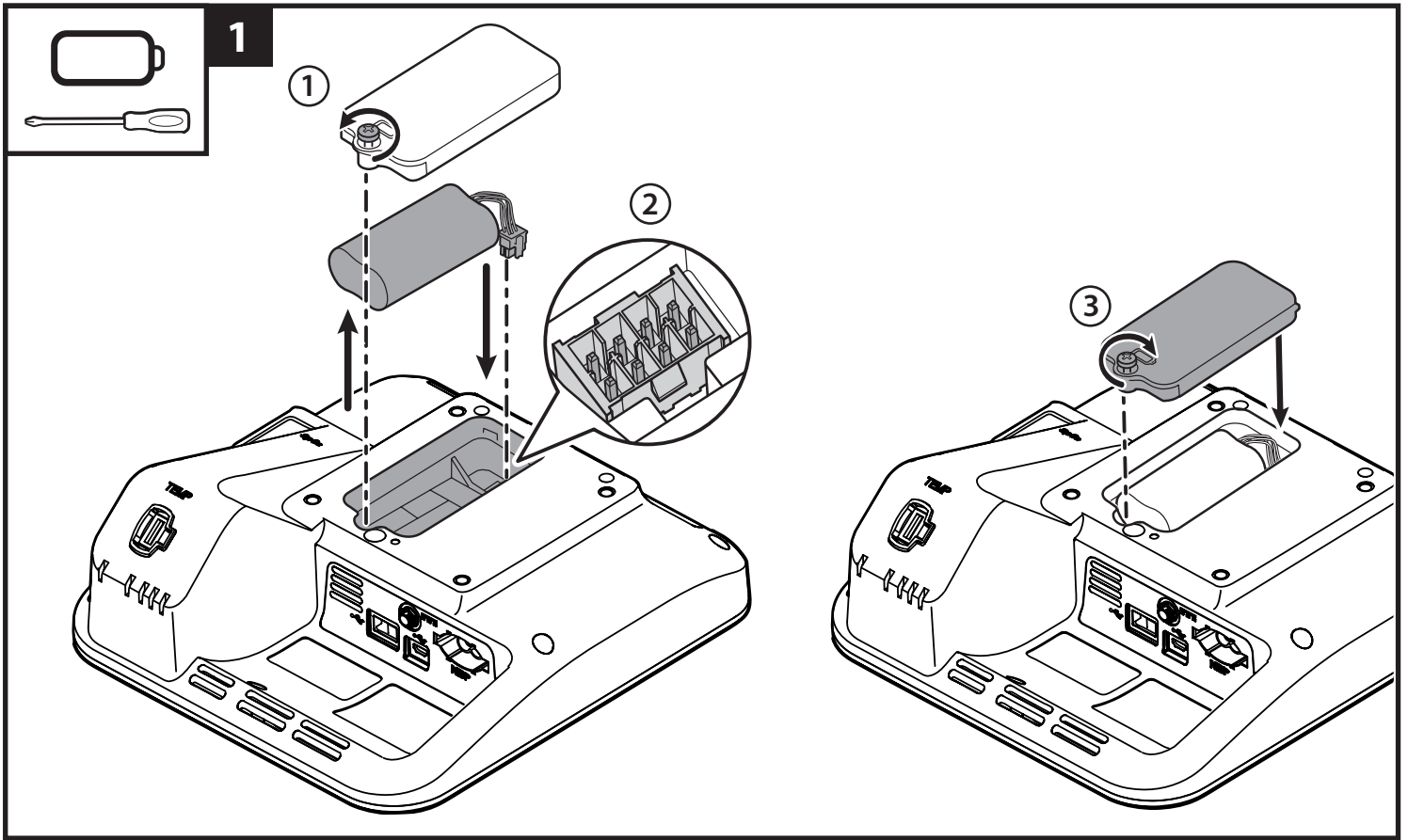
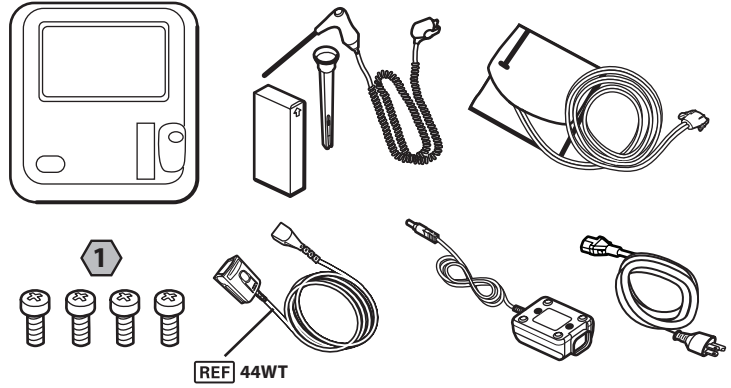
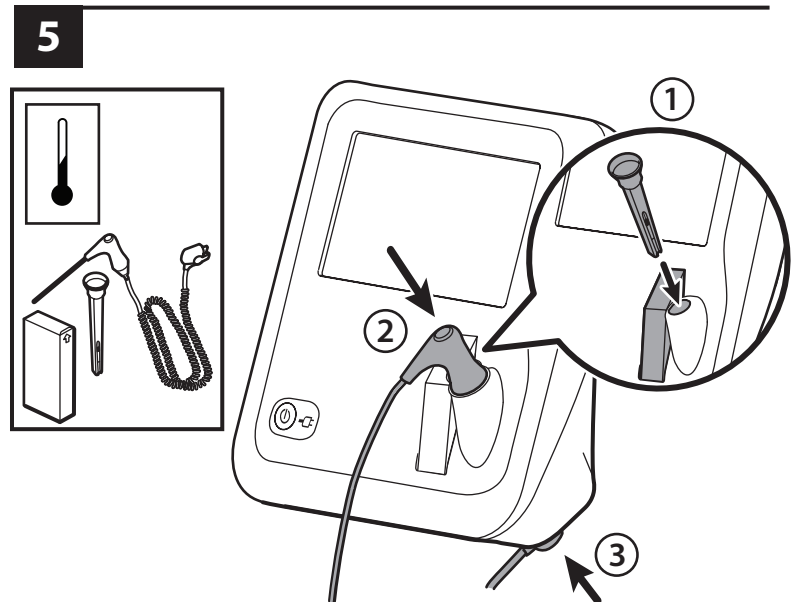
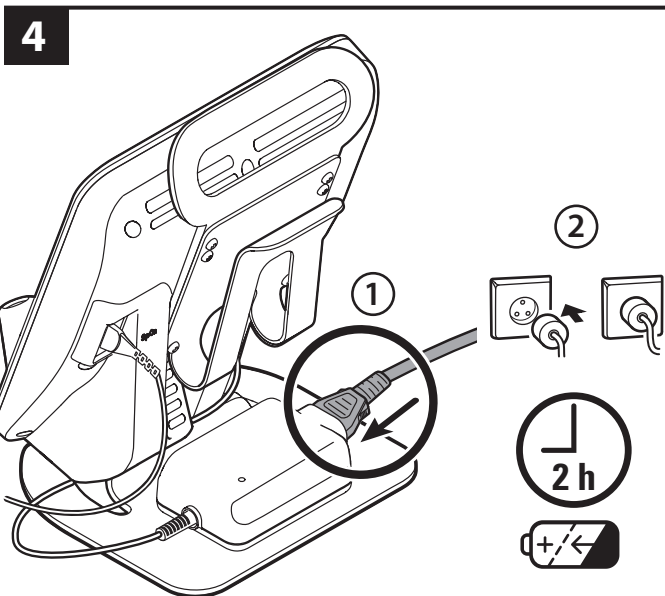
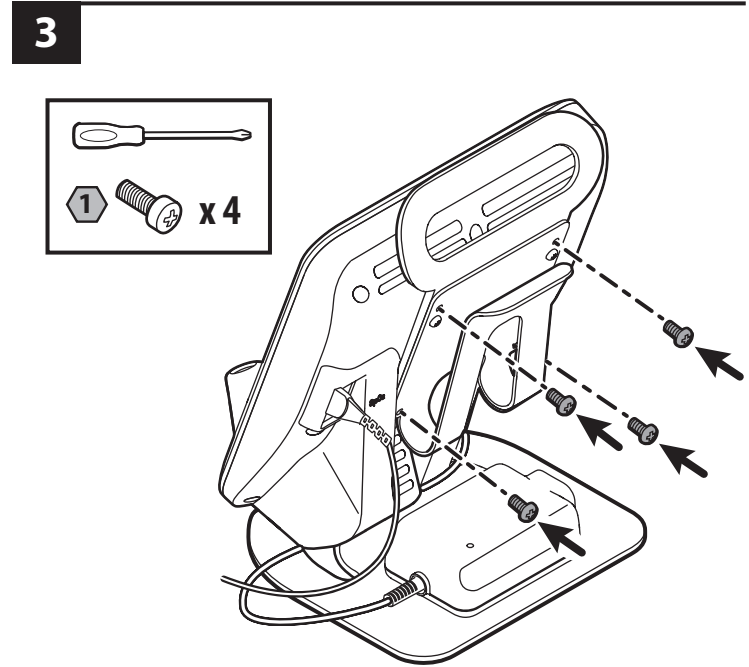
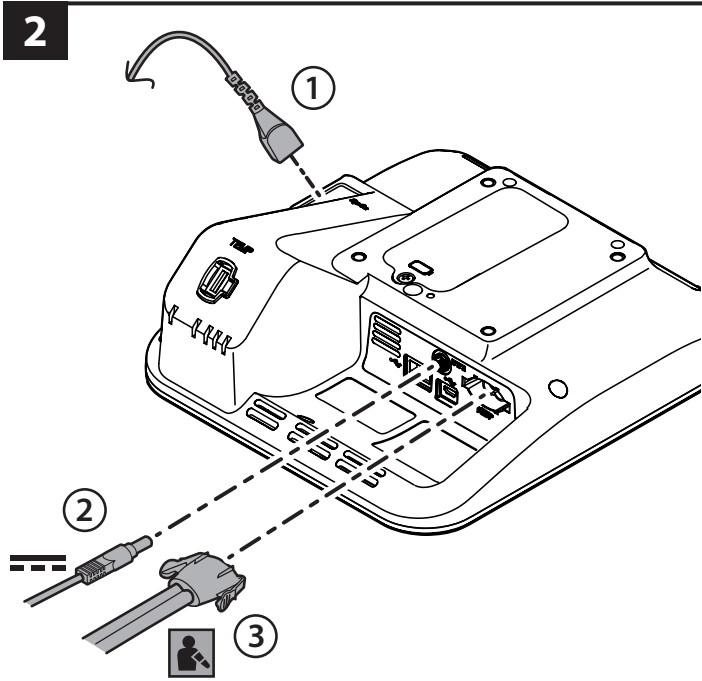
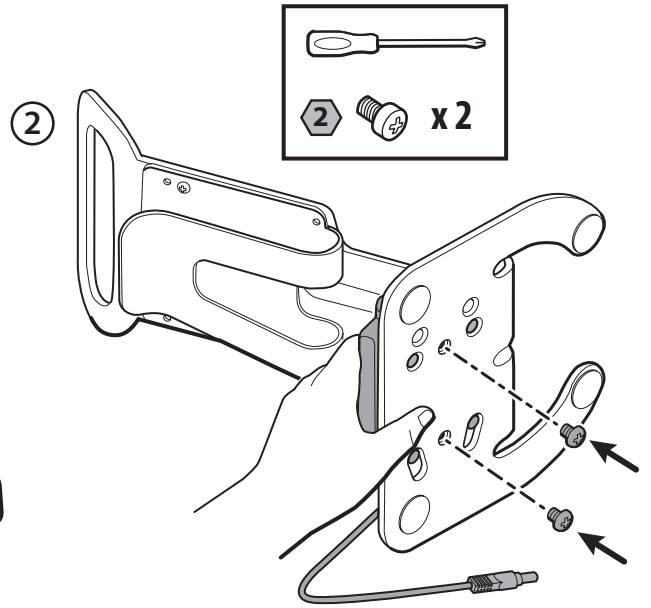
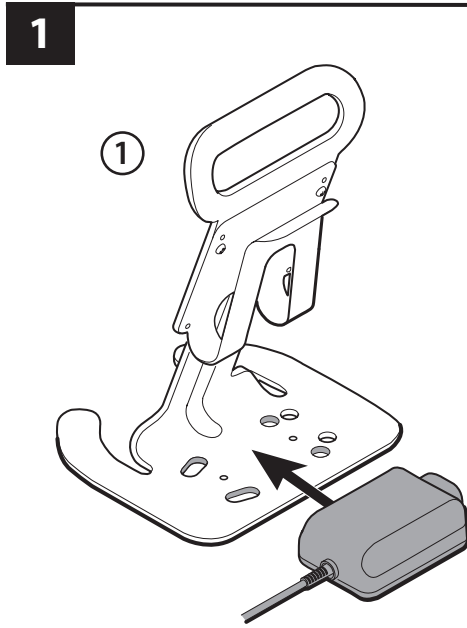
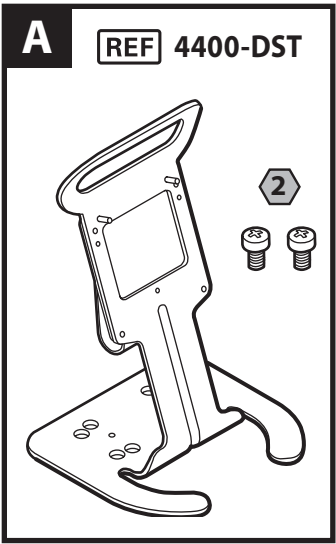


Welch Allyn® Spot Vital Signs 4400 Assembly instructions

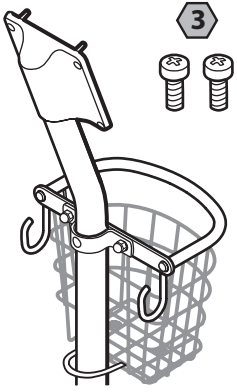
Mat. No. 774598, 80029408 Ver. A
Revision date: 2021-11
©2021 Welch Allyn, Inc. All rights reserved.

hillrom.com
Hillrom Technical Support
hillrom.com/en-us/about-us/locations/
Welch Allyn, Inc. is a subsidiary of Hill-Rom Holdings, Inc.

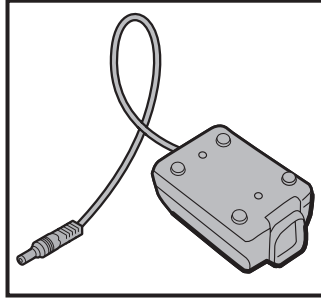




B REF 4400-MBS



1

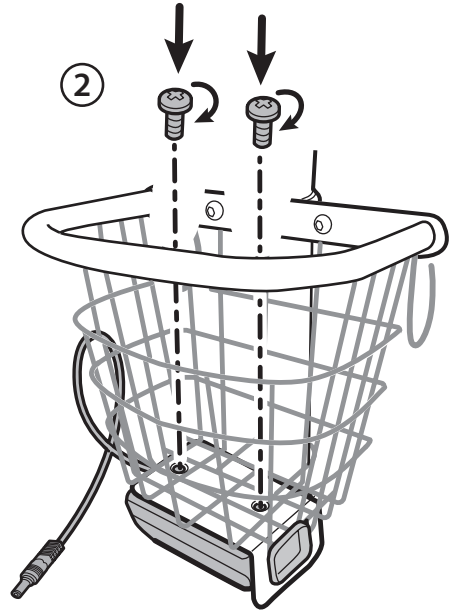


10.0 in-lb
± 0.5 in-lb

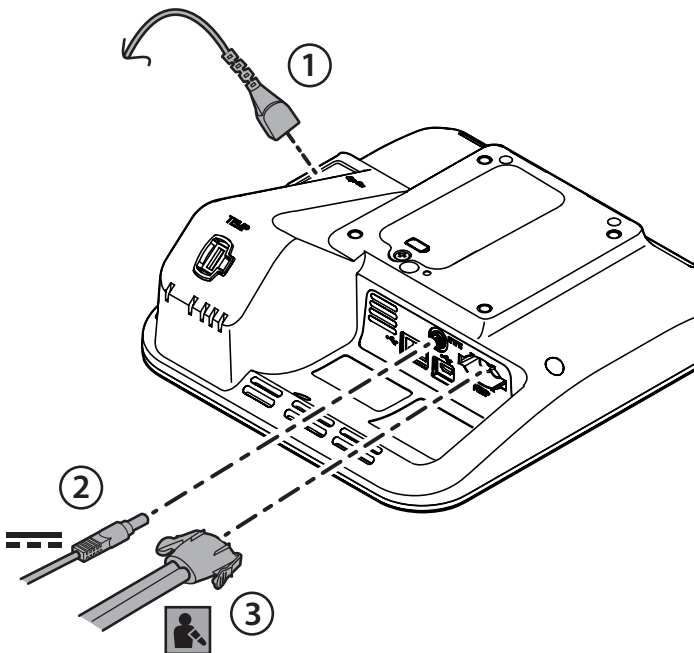
①



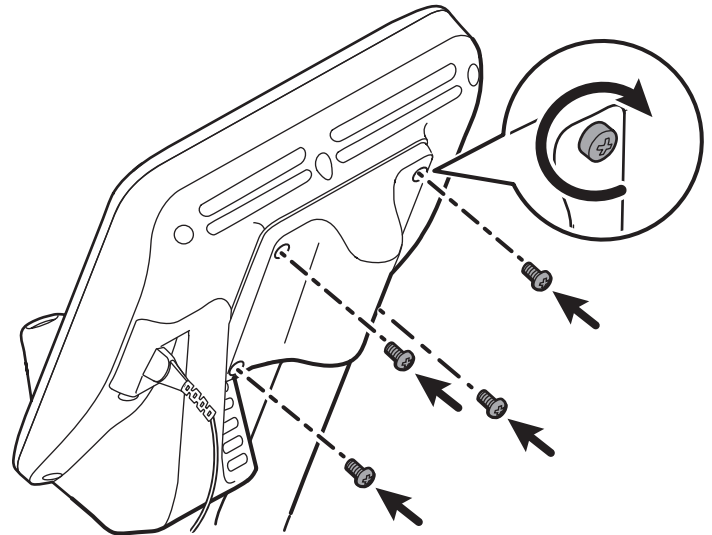
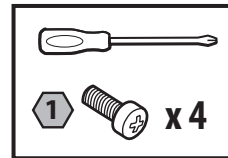
②



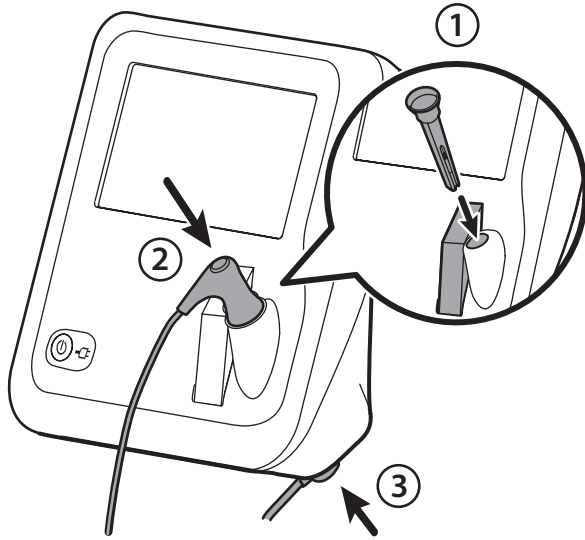
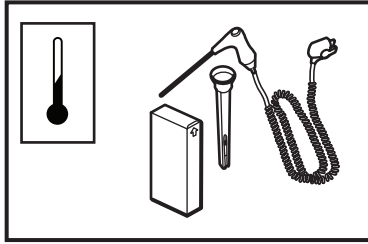
2



3



4



5

