

### Intended use

This product is intended to supply power to Welch Allyn 3.5V instruments.

### Symbol descriptions



Separate Waste Electronic and Electrical Equipment (WEEE) from other disposables. Prepare this product for reuse or separate collection as specified by the WEEE Directive 2002/96/EC or local law.

Illuminated: Power is present.  
Not illuminated: No power.

The product does not contain hazardous substances above threshold values defined in China Standard SJ/T 11363 – 2006. The product is green and environmental and can be recycled after use.

Type BF applied part

### General warnings and cautions

**WARNING** Read and understand the instructions before using this product. Failure to understand the operating requirements for this product can result in injury to you or the patient and can damage the product.

**WARNING** Explosion hazard. Do not operate this product in the presence of flammable anesthetics or other flammable substances in combination with air, oxygen-enriched environments, or nitrous oxide.

**WARNING** Electric shock hazard. Do not simultaneously touch the patient and the center metal contact of the handle.

**WARNING** Do not modify this equipment. Any modification of this equipment can lead to patient injury. Any modification of this equipment voids the product warranty.

**Caution** As a precaution, avoid using this product in close proximity to other equipment. The product complies with current required standards for electromagnetic interference and should not present problems to other equipment or be affected by other devices.

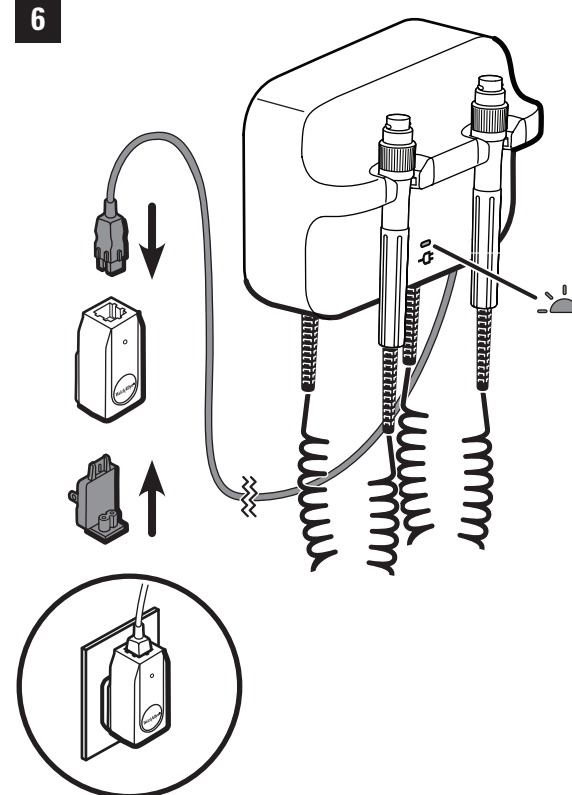
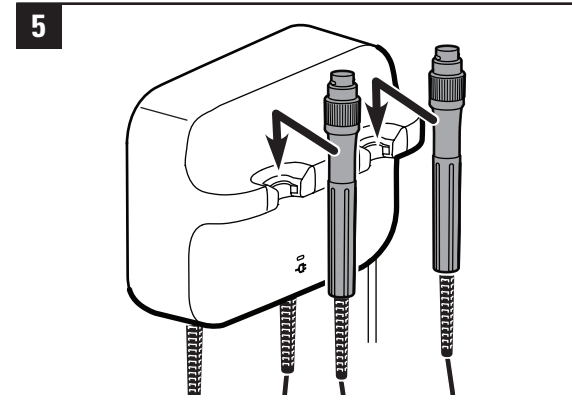
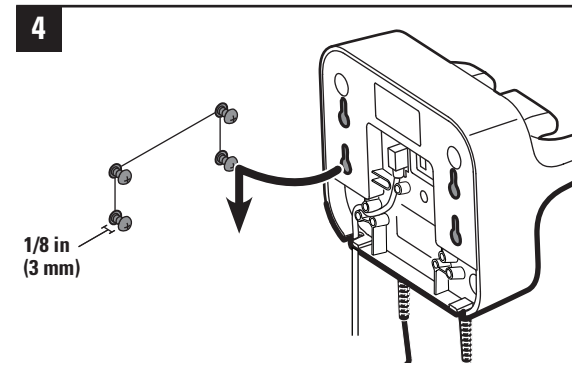
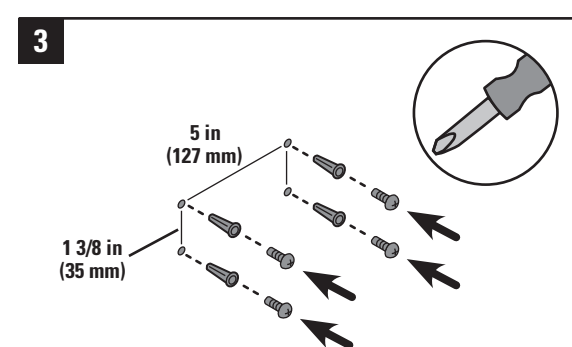
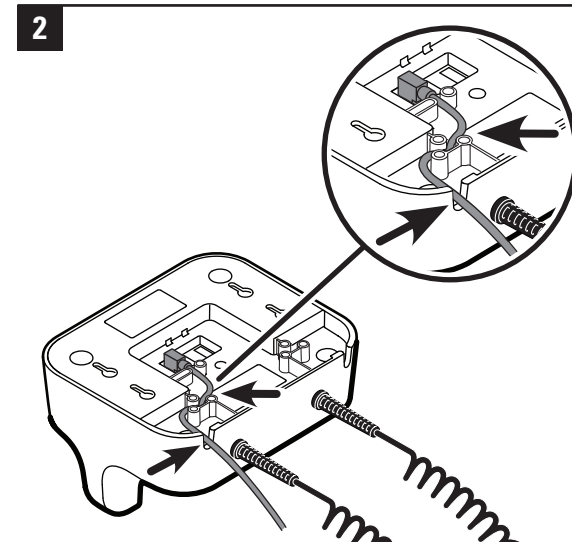
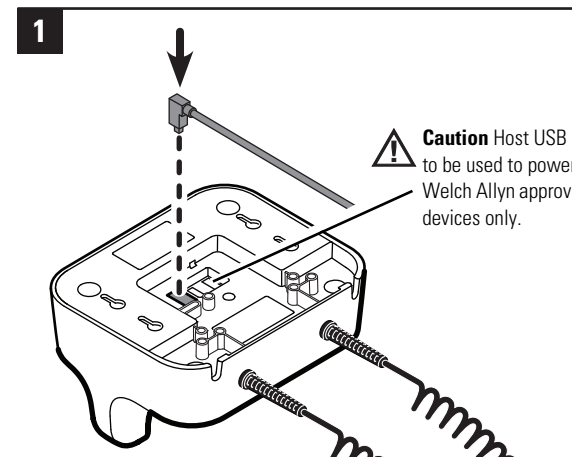
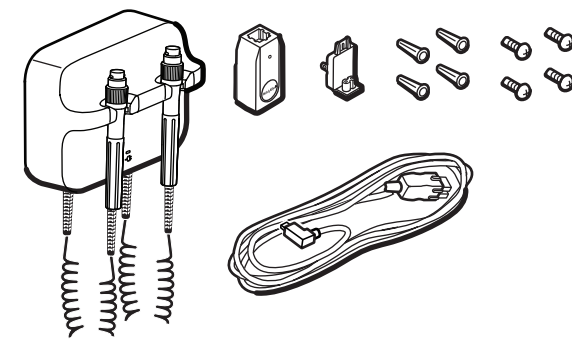
**Caution** Only authorized Welch Allyn Service Centers can perform service on this product.

**Caution** To make sure that the transformer can be unplugged from the AC power source, never block access to the wall socket.

**Caution** Rx only (for professional use).

### Setup

**WARNING** Welch Allyn is not responsible for the integrity of any mounting installation. Welch Allyn recommends that customers contact their Biomedical Engineering Department or maintenance service to ensure professional installation for safety and reliability of any mounting accessory.



Attach Welch Allyn 3.5V instrument heads of your choice to the handles. See the directions for use for each instrument head.

### Using the handles

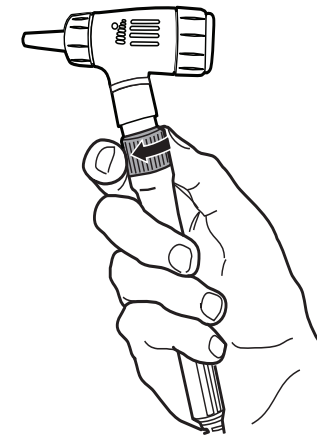
Ensure that the transformer is plugged in.

- Lift the handle from the cradle.  
The instrument powers on. Only one instrument can be powered at a time.

- Adjust the light output by turning the rheostat on the handle.

- Turning the rheostat clockwise increases the light output.
- Turning the rheostat counterclockwise decreases the light output.

**Note** Decreasing the light output to the minimum level does not power down the instrument.



- Follow the directions for use for the instrument head when examining a patient.

**Caution** To prevent damage, do not overstretch the cords on the handles.

**Caution** To minimize the external housing temperature of the instrument head, on-time must not exceed 2 minutes, and off-time must be a minimum of 10 minutes.

- Return the handle to the cradle.  
The 3.5V instrument powers down.

### Cleaning

**WARNING** Before you clean the transformer, unplug it from the wall socket.

**WARNING** Electric shock hazard. DO NOT autoclave the transformer or accessories.

**WARNING** Liquids can damage electronics inside the transformer. Prevent liquids from spilling on or dripping into the transformer. If liquids are spilled on or drip into the transformer:

- Disconnect the power plug.
- Remove the transformer from the wall.
- Dry off excess liquid from the transformer.
- Mount the transformer on the wall.
- Verify that the transformer functions normally before using it.

Clean the transformer on a routine basis according to your facility's protocols and standards or local regulations.

To clean the transformer (excluding the instrument heads), use any of the following:

- A clean cloth slightly dampened with 70 percent isopropyl alcohol or 10 percent chlorine bleach solution. Wipe dry with a clean cloth.
- Sani-Cloth® Plus.
- CaviWipes™ (see caution below).

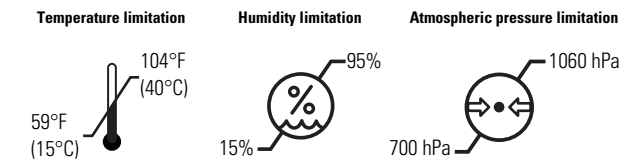
**Caution** Do not use CaviWipes to clean the blue handle cradles. This cleaning agent produces bubbles and liquid during the cleaning process that can enter openings in the cradles and limit handle performance for as long as 30 minutes after cleaning.

To clean the instrument heads, follow the instructions provided in their directions for use.

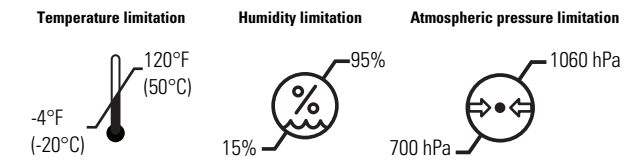
### Specifications

#### Environment

##### Operating:



##### Transport/storage:



### Safety Class II, Intermittent Operation

#### Electrical Power supply:

100–240V, 50–60 Hz, 0.18A max 5V, 1A

#### Transformer:

5V, 1A 5V, 0.5A

### Additional technical information

[www.welchallyn.com/GreenSeries777WallTransformer](http://www.welchallyn.com/GreenSeries777WallTransformer)

### Approvals

IEC 60601-1, UL 60601-1, IEC 60601-1-2, CAN/CSA C22.2 No 601.1-M90, AS/NZS3200



Welch Allyn, Inc.  
4341 State Street Road  
Skaneateles Falls, NY 13153-0220 USA  
[www.welchallyn.com](http://www.welchallyn.com)

EC REP Regulatory Affairs Representative  
Welch Allyn Limited  
Navan Business Park  
Dublin Road  
Navan, County Meath  
Republic of Ireland



[www.welchallyn.com/weee](http://www.welchallyn.com/weee)

### Warranty

Five-year limited warranty.

### Guidance and manufacturer's declaration

The guidance and manufacturer's declaration information is available at [www.welchallyn.com/GreenSeries777WallTransformer](http://www.welchallyn.com/GreenSeries777WallTransformer).