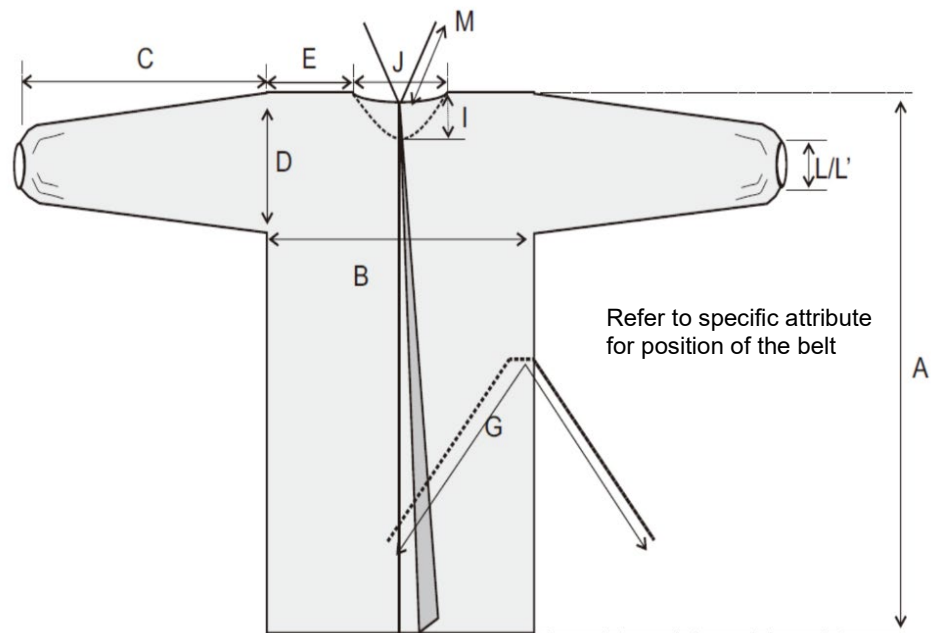


TECHNICAL DATA SHEET
Isolation Gown
Intended Use

Procedure Isolation Gown intended to protect health care professionals and patients from cross infection. Single-use and disposable. Latex free.

Characteristic		Specification	
Material Composition		Spunbonded Polypropylene	
Description		Gown made of non-woven fabric with full back closure. Features neck ties, string belt and sleeves closed with an elastic. Refer to Appendix 1 for Specific Attribute.	
Color		Refer to Appendix 1	
Part of Gown		Dimension (cm)	
		Regular	X-Large
A	Gown Length	110	115
	Open Gown Width	142	155
B	Underarm Width	71	77
C	Sleeve Length	58	61
D	Shoulder Height*	28	32
E	Shoulder Width	23	26
G	Belt Length	180	180
	Belt Position	23 cm under the right arm, sewn over a distance of 6 cm	23 cm under the right arm, sewn over a distance of 6 cm
I	Collar Depth	9	9
J	Collar Width	22	23
M	Neck-Tie Length	35	35
L	Sleeve Cuff Width	8	8
L'	Sleeve Cuff Width (Stretched)	15	15

* Measured along the sleeve seam of the gown

Measurement Diagram

Product Image

Additional Information

Storage Condition	Country of Origin
Store under ambient temperature and dry condition	China or Bangladesh

Appendix 1 List of Item Codes and Attributes

Appendix 1 (List of items)

AMD Medicom Inc.

Item Code	Description	Packaging Information	Size	Color	Specific Attribute	Treatment	Marketed in USA as	Marketed in Canada as
8023	Medicom Isolation Gown	10 Gowns/Bag, 5 Bags/Case, 50 Gowns/Case	Regular	Blue	Belt on the right	Non-Sterile	Medical Device Class 1	Medical Device Class 1